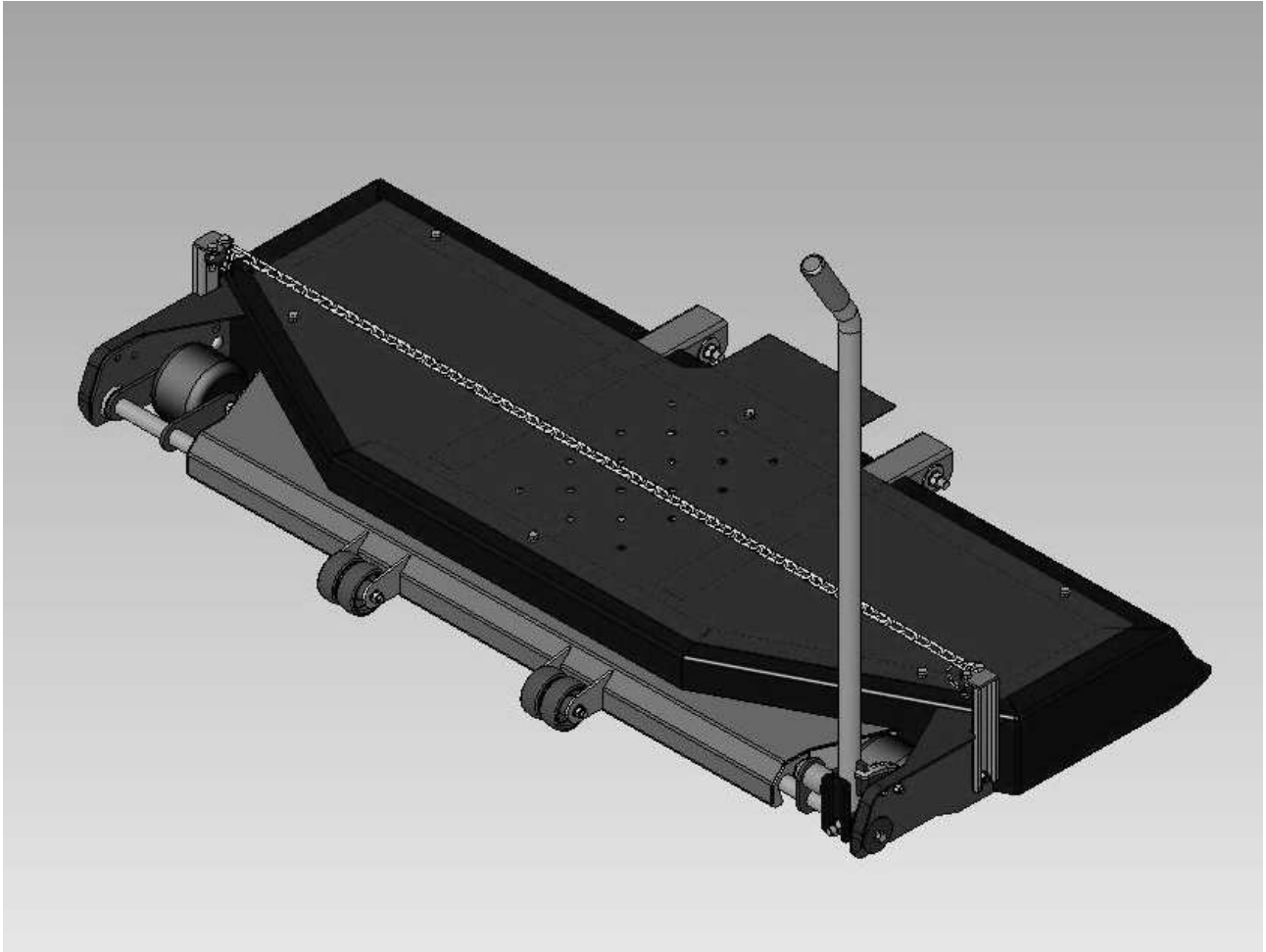


Assembly/Operators/Parts Manual

English Language Version 06

Printed: Aug 1, 2006



READ & SAVE THIS MANUAL

QUADIVATOR INC.
1000 6th Ave. NE
Portage La Prairie, MB
Canada, R1N 3C5
www.quadivator.com

Part #: 86068B

QUADIVATOR WARRANTY POLICY

The warranty for the Quadivator Product is a limited warranty.

The manufacturer's warranty to the original customer is - the product is free from defects in materials and workmanship for a period of one (1) year from the date of purchase by the original purchaser.

We will repair or replace, at our discretion, parts found to be defective due to materials and workmanship.

The warranty is subject to the following limitations and exclusions:

1. Engine Warranty - all engines utilized on our products have a separate warranty extended to them by the engine manufacturer. Any engine service difficulty is the responsibility of the engine manufacturer and in no way is Quadivator Inc. or its agents responsible for the engine warranty. The Briggs & Stratton Engine Service Hot Line is 1-800-233-3723.

2. Commercial Use - the warranty period for any product used for commercial or rental use is limited to ninety (90) days from the date of original purchase.

3. Limitations - the warranty applies only to products which have been properly assembled, adjusted and operated in accordance with the instructions contained within this manual. The warranty does not apply to any product of Quadivator Inc. that has been subject to alteration, misuse, abuse, improper assembly or installation, shipping damage or normal wear of the product.

4. Exclusions - excluded from this warranty are normal wear, normal adjustments and normal maintenance.

In the event you have a claim under this warranty, you must return the product to an authorized service dealer. All transportation charges, damage or loss incurred during transportation of parts submitted for replacement or repair under this warranty shall be borne by the purchaser. Should you have any questions concerning this warranty, please contact us toll-free at 866 770-2169 or on our web-site at www.quadivator.com. The model, serial numbers, date of purchase and the name of the authorized Quadivator dealer from whom you purchased the Quadivator Product will be needed before any warranty claim can be processed.

This warranty does not apply to any incidental or consequential damages and any implied warranties are limited to the same time periods stated for all expressed warranties. Some provinces and states do not allow the limitation of consequential damages or limitations on how long an implied warranty may last, so the above limitations may not apply to you. This warranty gives you specific legal rights and you may have other rights, which vary from province to province or state to state.

This is a limited warranty as defined by the Magnuson-Moss Act of 1975.

FOREWORD

Congratulations on the purchase of your new Quadivator Hyper-Cut Mower. To obtain the best use of your Hyper-Cut Mower, read this manual *carefully*. It will help you become familiar with the operation and maintenance of the Quadivator RD62. It is Quadivator Policy to use all research, design and manufacturing improvements to improve our Hyper-Cut Mower. At the time of printing, this may result in some of the minor parts in the manual becoming outdated.

Quadivator will have the most up to date parts and service information – call 866 770-2169 for service information and parts orders!

Contact Information

Quadivator Inc.
1000 – 6th Ave NE
Portage la Prairie, MB
Canada, R1N 3B5

E-mail: mailbox@quadivator.com
Website: www.quadivator.com
Tel. 866-770-2169
Fax. 204-239-4271



SAFETY FIRST

This symbol, the industry's "Safety Alert Symbol", is used throughout this manual and on labels on the device itself to warn the possibility of personal injury.

Read these instructions carefully.

It is essential that you read the instructions and safety regulations before you attempt to assemble or use this brush.



DANGER

Indicates an imminent hazardous situation, which if not avoided, will result in death or serious injury.



WARNING

Indicates a potentially hazardous situation which, if not avoided, could result in death or serious injury.



CAUTION

Indicates a potentially hazardous situation which, if not avoided, may result in minor or moderate injury.

Table of Contents

1. Foreword/Safety First.....	i
2. Pre-delivery Checklist.....	iii
3. Owners Registration & Delivery Checklist.....	iv
4. Safe Operation	1
5. Setup.....	4
6. Operation	10
7. Maintenance	11
8. Troubleshooting	14
9. Replacement Parts.....	15
10. Warranty Registration.....	21



PRE- DELIVERY CHECKLIST

Check off all items as they are found satisfactory or after adjustments are made:

- All safety shields and guards are securely in place!
- All decals are in place and readable!
- All fasteners are securely tight
- Check and tighten blade holder and blade bolts – see Tightening and Blade Holder Hardware in Service Section.
- Check the belt and adjust properly – see Service Section.



CAUTION

To help prevent personal injury from rotary blades and/or thrown objects, never walk or stand in the area of the discharge or deck during run-in or operation!

- Start the Quadivator Hyper-Cut Mower and allow it to run for 5 – 10 minutes, check for excessive operation or unusual noise.
- The Quadivator Hyper-Cut Mower has been tested and to the best of my knowledge, is ready to be delivered to the customer!

Date Pre-delivered –

Signature –

OWNER'S REGISTRATION

Name –

Address –

City/Town –

State/Prov. –

Postal/Zip (Mail) Code -

Model & Serial # –

Date Sold –

DELIVERY Checklist

- Tell the customer not to remove any of the safety shields or guards.
- Review the Quadivator Warranty with customer.
- Review with the customer the Safe Operation and Service of the Hyper-Cut Mower.
- Review with the customer the Daily and Periodic Maintenance.
- Review with the customer the Daily and Periodic Inspections.
- Parts & Service Availability.

Prior to delivery to the customer, do the following:

- Record Serial Numbers for the Quadivator Products
- Sign and remove this section for the dealer's record.
- Give the customer the Operator's Manual and encourage the customer to read the manual.

Date Delivered –**Signature –**

SAFE OPERATION



DANGER

Failure to observe the following safety instructions could result in serious injury and or death.

1. General Operation

.1 Read, understand, and follow all instructions on the machine and in the manual(s) before starting.

.2 Do not put hands or feet near rotating parts or under the machine.

.3 Allow only responsible adults, who are familiar with the instructions, to operate this machine.

.4 Be thoroughly familiar with the controls and the proper use of the equipment. Know how to stop the unit and disengage the controls quickly.

.5 Be sure the area is clear of bystanders before operating. Stop machine if anyone enters the area.

.6 NEVER CARRY PASSENGERS while operating any attachments used with the Power Unit - EVEN IF YOURS is a TWO-UP ATV!



DANGER:

While operating any ATV Attachments with the Power Unit – ALWAYS attach the clip end of the Tether Cord to your belt, until you dismount from the ATV. The switch, the cord is attached to, will shut off the engine if pulled deliberately or by an inadvertent dismount from the ATV seat.

.7 Do not mow in reverse unless absolutely necessary. Always look down and behind before and while backing up.

.8 Never direct discharged material toward anyone. Avoid discharging material against a wall or obstruction. Material may ricochet back toward the operator. Stop the blades when crossing gravel surfaces.

.9 Do not operate machine without the entire grass catcher, discharge guard, or other safety devices in place and working.

.10 Do not wear loose clothing or jewelry.

.11 Slow down unit before turning.

.12 Never leave a running machine unattended. Always turn off unit, disengage drives, blades, set parking brake, stop engine and remove key before dismounting.

.13 Disengage blades when not mowing. Shut off engine and wait for all parts to come to a complete stop before cleaning, removing the grass catcher, or unclogging the discharge guard.

.14 Operate machine in daylight or good artificial light.

.15 Do not operate machine while under the influence of alcohol, medication or drugs.

.16 Watch for traffic when operating near or crossing roadways.

.17 Use extra care when loading or unloading the machine into a trailer or truck.

.18 Always wear eye protection when operating or servicing machine.

.19 Do not use the mower to clear brush or to cut saplings. .



WARNING:

Data indicates operator age 60 years and above are involved in a large percentage of riding mower-related injuries. These operators should evaluate their ability to operate the riding mower safely enough to protect themselves and others from serious injury.

1.2 Slope Operation

- .1 Slopes are a major factor related to loss of control and tip-over accidents, which can result in severe injury or death.
- .2 Operation on all slopes requires extra caution. Do not mow, if you cannot back up the slope or if you feel uneasy on it.
- .3 Mow up and down slopes, not across.
- .4 Watch for holes, ruts, bumps, rocks, or other hidden objects. Uneven terrain could overturn the machine. Tall grass can hide obstacles.
- .5 Choose a low ground speed so you will not have to stop or shift while on a slope.
- .6 Do not mow on wet grass. Tires may lose traction.
- .7 Always keep the machine in gear when going down slopes. Do not shift to neutral and coast downhill.
- .8 Avoid starting, stopping, or turning on a slope. If the tires lose traction, disengage the blades and SLOWLY proceed straight down the slope.
- .9 Keep all movement on slopes slow and gradual. Do not make sudden changes in speed or direction, which could cause the machine to roll over.
- .10 Use extra care while operating machine with additional or other attachments; they can affect the stability of the machine. Do not use on steep slopes.
- .11 Do not try to stabilize the machine by putting your foot on the ground.
- .12 Do not work near drop-offs, ditches or embankments. The machine could suddenly roll over if a wheel goes over the edge or if the edge caves in.

1.3 Children



WARNING:

Tragic accidents can occur if the operator is not alert to the presence of children. Children are often attracted to the machine and the mowing activity. **Never** assume that children will remain there - the last time you saw them.

- .1 Keep children out of the mowing area and under the watchful care of a responsible adult - other than the operator.
- .2 Be alert and turn machine off if a child enters the area.
- .3 Before and while backing, look behind and down for small children.
- .4 Never carry children, even with the blades shut off. They may fall off and be seriously injured or interfere with safe machine operation. Children who have been given rides in the past may suddenly appear around the unit or mowing area for another ride and be run over or backed over by the machine.
- .5 Never allow children to operate the machine!
- .6 Use extreme care when approaching blind corners, shrubs, trees, or other objects that may block your view of a child.

1.4 Towing

- .1 Tow only with a machine having a hitch designed for towing. Do not attach towed equipment except at the hitch point.
- .2 Follow the manufacturer's recommendation for weight limits for towed equipment and towing on slopes.
- .3 Never allow children or others in or on towed equipment.
- .4 On slopes, the weight of the towed equipment may cause loss of traction and loss of control.
- .5 Travel slowly and allow extra distance for stopping.

1.5 General Service

- .1 Keep all nuts and bolts tight to be sure the equipment is in safe working condition.
- .2 Never tamper with safety devices. Check their proper operation regularly.
- .3 Keep machine free of grass, leaves, or other debris build-up. Clean up oil or fuel spillage and remove any fuel-soaked debris. Allow machine to cool before storing.

.4 If you strike a foreign object, stop and inspect the machine. Repair, if necessary, before restarting.

.5 Never make any adjustments or repairs with the engine running. Disconnect the spark plug wire and keep the wire away from the plug to prevent accidental starting.

.6 Never operate the Power Unit without proper guards, plates or other safety protective devices in place.

.7 Mower blades are sharp! Wrap the blade or wear gloves, and use extra caution when servicing them.

.8 Check brake operation frequently. Adjust and service as required.

.9 Maintain or replace safety and instruction labels, as necessary.

.11 Use only attachments and accessories approved by the manufacturer of the Power Unit.

.12 Maintain or replace safety and instruction labels as necessary.

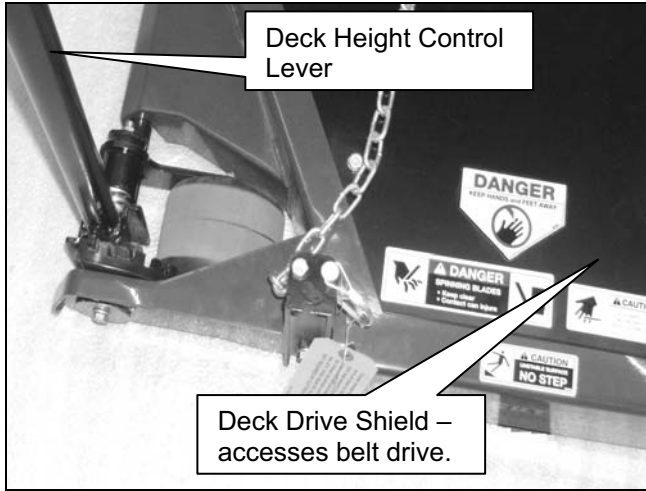
2. SPECIFICATIONS

Hyper-Cut Mower Model		RD62
Adjustment Method		RH Side Height Adjustment Lever & Fixed Scalping Wheels
Mounting Method		2 point bolted assembly
Cutting Width	inch (mm)	62 (1575)
Cutting Height	inch (mm)	1.0 to 3.75 (25 to 95)
Weight Approx	lbs (kg)	455 (206.5)
Blade Length	inch (mm)	13.0 (330)
Blade Tip Velocity	fpm (m/s)	17000 (86.5)
Number of Blades		5
Deck Length	inch (mm)	26.25 (667)
Deck Width	inch (mm)	71.7 (1820)
Deck Height	inch (mm)	5.0 (127)
Mower Overall Length	inch (mm)	81.25 (2063)
Overall Height (Controls)	inch (mm)	41.0 (1040)
Length - Hitch Ball to Rear of the Mower	inch (mm)	35 +/- 1.5 (890 +/- 38)

3.0 SETUP

3.1 Mower Deck Assembly

1. Remove the Components from the Shipping Container. Check for any damage that may have occurred during shipping to your dealership.
 - Assembled deck.
 - Packaged height adjustment handle.
 - Tower assembly kits, packaged with the deck height control lever assembly.

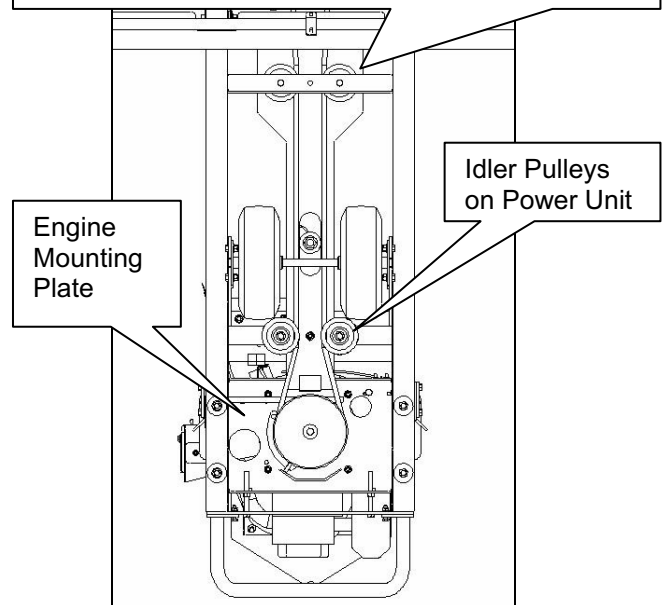


2. Raise the front of the deck and place on blocks.
3. Remove the deck drive shield so the drive pulleys are visible.
4. Rotate the rockshaft back 90 degrees and install the deck height control lever. Remove the tie wrap holding the spring with a pair of side cutters, then pull inwards to compress the spring and rotate the rod upwards and into place so the height control lever contacts the height detent bracket.
5. Install the chain restraint towers – rotate them so they lay horizontally for the installation of the ATV.

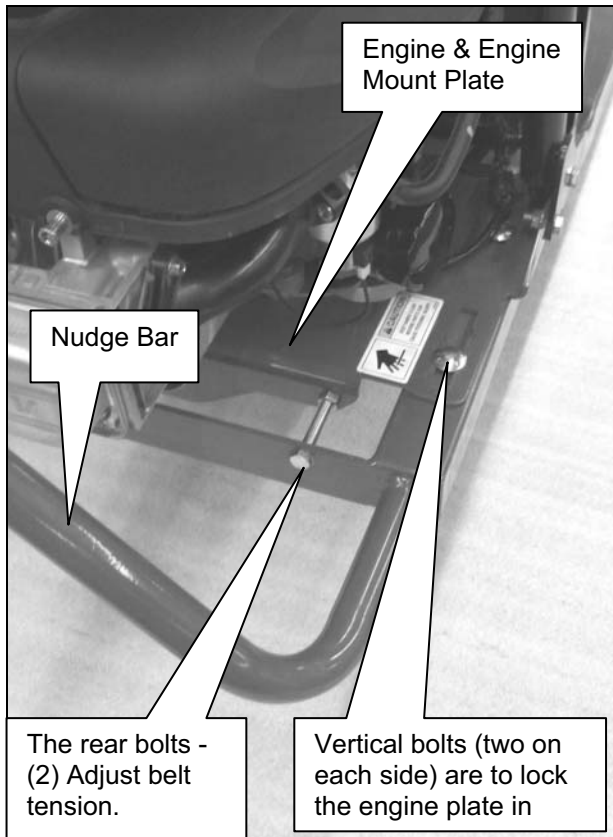
3.2 Mounting Mower to Power Unit

1. Insert the tubes of the Power Unit into the matching brackets on the mower deck. You may need to maneuver the Power Unit into place by grasping the rear nudge bar and wheeling into position.
2. Secure the Mower Deck to the Power Unit with the provided locking hardware.
3. Install the drive belt; which comes with the Power Unit. The belt goes from the drive pulley on the Power Unit under the Motor to the driven pulley on the mower deck. In order to accomplish this, follow these steps:
 - Remove the mower deck drive shield
 - Loosen the 4 bolt and nut assemblies that hold the motor in place.
 - Loosen the 2 adjuster bolts at the rear of the engine plate.
 - Slide the engine completely forward toward the mower deck.
 - Loop the drive belt around the driven pulley on the deck and thread it between the two sets of idlers and place it onto the drive pulley beneath the engine. Ensure that the belt is running in position and is not twisted, before tensioning.

Picture illustrates the correct belt routing between the idlers on the power unit. (Bottom view shown)



4. Manually slide the engine plate rearward to put some tension on the belt and then tighten it with the two tensioning bolts at the rear of the power unit frame.



5. The belt tension should be tight enough that by reaching beneath the mower in the center section of the power unit, that it takes 7.5 lbs of pressure to deflect the belt ½ inch (13mm) when grasped just below the opening in the covering plate.

IMPORTANT: DO NOT over-tighten the belt – over-tightening the belt will cause excessive heat build up in the belt and premature belt wear!

6. Re-Install the deck drive shield.

7. It is possible to start the mower at this time, before it is mounted to any ATV. If you choose to do so, follow these steps:

- Ensure that there is nothing under the cutting deck that has been inadvertently left on the ground that would contact the blades – push the mower forward and rear to visually check!
- Block the pneumatic wheels so the mower does not move forward or backward.
- Ensure there are no personnel within 4 feet of the deck and there is no one in line of the discharge - at any time.

- Turn the fuel valve – located at the bottom of the tank – to the ON or vertical position – visually check for fuel flow through the filter body.
- On initial start up, allow the engine to run for 3 – 5 minutes before engaging the mower deck – the choke should be “**removed**” right after start up by pulling the throttle lever towards the operator or the mower deck until the engine runs at maximum RPM without choke.
- Engage the mower deck by moving the toggle to ENGAGE or UP position.
- Initial start up of a new deck may take several (3 – 5) attempts to get the mower deck up to full speed – because of 5 spindle assemblies and a new belt.
- Once up to speed – run the mower for 5 to 10 minutes – this is a “break-in” period. This break in period will ensure that the customer’s first experience with the Hyper-Cut Mower engages the deck directly from first operation!
- Disengage the drive to the mower deck, by moving the toggle to RUN or the center position (the mower deck – rotating blades - should disengage immediately) – idle the engine and shut off with the ignition key.
- Re-start the mower following the previous procedure – place the toggle in RUN Position) and pull the red Safety Tether from the switch – the engine should SHUT OFF within 2 seconds. If it does not - consult the Troubleshooting section of the Power Unit Manual before proceeding with mounting the Mower to an ATV.
- Turn OFF the Ignition Switch; Re-install the safety tether on its switch, shut off the fuel valve.

3.3 Mounting the Mower to the ATV

General Principles: Mount the Hyper-Cut Mower to ATV.

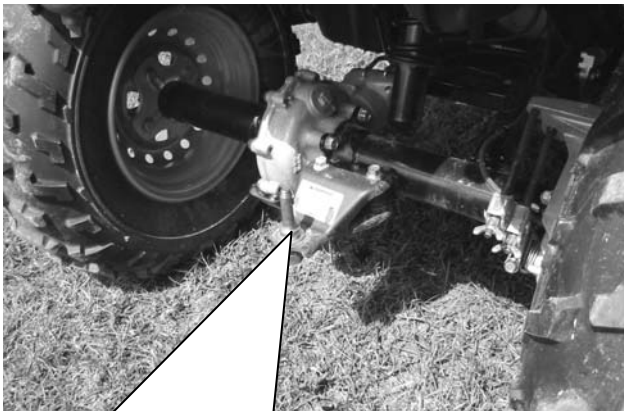
Note: Views of the ATV shown in the manual are typical. Configurations and hitch styles will vary with units

1. The mower is to be centered from the front to the rear, allowing for turning of the assembled unit and the actuating the mower height control lever.
2. The floating hitch at the rear is horizontal when installed and attached to the ATV.

3. The mower is centered from left to right under the ATV using the chains supplied to loop around a frame member on the ATV
4. Remove the excess chain by cutting it off as instructed on the orange tags (attached to the end of the chain).
5. The ATV/Mower Unit is maneuvered left to right and with the deck up and down for minimal left to right movement – less than 1.0”

Initial fit up – Hyper-Cut Mower to ATV: Place on a flat hard surface with enough room to mount the mower to the ATV, and then maneuver the assembled unit.

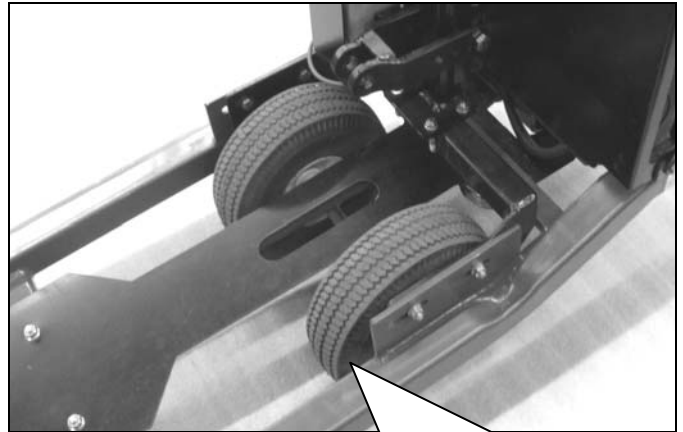
1. Install the supplied Pin – Part # 88652 in the ATV as shown – place the pin through the top and the large washer on the top of the ATV hitch. Assemble with a lock washer from the bottom and tighten the nut with a wrench or socket. Not applicable to models having the receiver hitch.



NOTE: Tighten the hitch pin securely – to 150 ft-lbs (230.5 Nm). The Hyper-Cut is “pushed” by the ATV through the hitch pin. Secure assembly as instructed. Failure to do so will result in damage to the ATV or the mower and/or both – or personal injury to the operator. This does not apply to models equipped with 2” receiver hitch

INFORMATION: Hyper-Cut Mower has a universal mount system that accommodates a 7.5” or taller ground to hitch height. If your mower has a hitch height that is between 7.0” to 7.5” (measured from the ground on hard surface - to the top of the ATV hitch) it is still possible to mount the mower to your ATV, but it will require some additional care in mounting and dismantling the ATV from the mower.

2. Block the pneumatic wheels of the mower with two wooden 2” x 4”s.



NOTE: BLOCK both Pneumatic Wheels at front and rear of Power Unit when attaching or detaching the mower or other attachment from the ATV.

3. Pull inwards and push to the full forward position on the mower’s height control lever to make the deck as low to the ground as possible to make it easier to reverse the ATV over the mower deck.

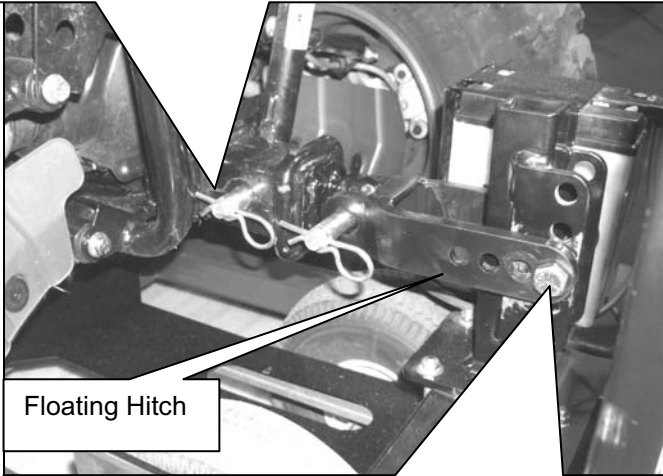
4. Back the ATV up over the mower deck in **REVERSE - SLOWLY!**

IMPORTANT: Hold your hand over the brake lever to assist in making quick unanticipated stops when driving over the mower deck.

5. When the ATV contacts the ground with all 4 wheels, and the mower sits between the ATV wheels – shut off the ATV and place it in neutral for maneuvering by hand.

6. Remove the floating hitch, by removing the bolt (as shown in the following picture – see next page) from the hitch tower and attach it to the vertical hitch pin that was installed on the ATV hitch pin, place the over center pin supplied to hold the hitch swivel bracket to the ATV hitch.

NEVER operate or even move your ATV with mower attached without the horizontal safety pin in place – failure to have installed will allow the mower to become disconnected from the ATV and damage to the ATV or Mower and/or the operator may result.



Floating Hitch

NOTE: Remove this bolt, then slide the hitch onto the pin mounted on the ATV – then reinstall the bolt to make the front to back adjustment!

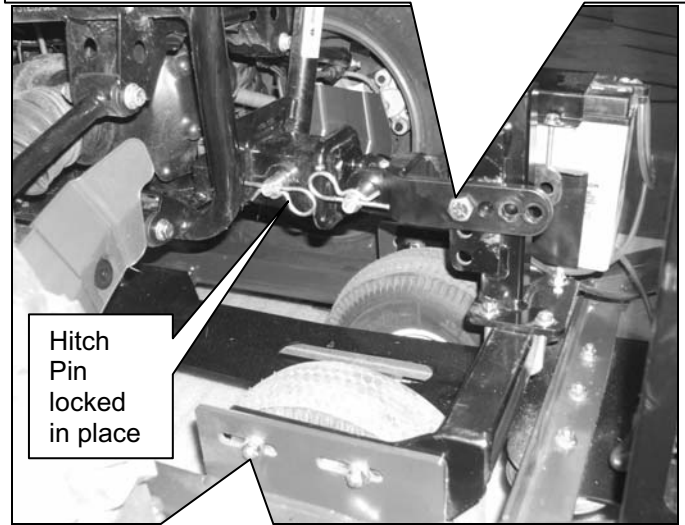
7. Center the mower (front to rear) in the space between the ATV wheels. Maneuver the mower by grasping the rear curved nudge bar. Push and pull the nudge bar until the mower is centered between the front and rear wheels of the ATV. Install the floating hitch bolt in position that allows for a horizontal positioning of the hitch.

Check for clearance at the front wheels at upper and lower height extremes of steering movement!



Check for clearance at the rear wheels at upper and lower height extremes of steering movement!

NOTE: Always place this bolt in the rear set of holes (on the tower) when installed. The hitch tower can be turned around so hitch points are further back.



Hitch Pin locked in place

NOTE: If finer adjustment is required for front to rear movement, after the closest hitch bolt hole has been selected, the entire hitch tower assembly can be adjusted by loosening four (4) U-bolts that hold the hitch assembly to the Power Unit frame. Adjust the deck front to back, then re-tightening the hardware.

NOTE: If your ATV has independent suspension and the hitch height changes with an operator on-board, then have a person sitting on the ATV when you “level” the floating hitch assembly to your ATV.

Replace the bolt in the hitch tower and ensure that the locking section of the nut is engaged when installed, with a minimum of 2 or 3 threads exposed!

Check the centering of the mower to the ATV from front to rear by turning the steering bars of the ATV from full left to full right and with the mower deck in both the **Full – UP** and **Full – Down** mowing positions with the deck height lever. In all instances the deck height mechanism should clear both tires evenly and in no circumstance contact the ATV tires. Readjust if necessary before proceeding!

8. Centering the mower from side to side beneath the ATV can be accomplished by placing the handle bars so the ATV front wheels point straight ahead, and measuring how much of the deck is visible on either side of a straight line drawn from the rear wheel rims forward.

9. Attach the mower to the ATV with the chains and chain towers provided:

- Once the brackets are in the deck, insert the provided cotter pin and when installed – “separate” the center part of the pin with a screw driver, hammer it lightly into place and then rotate the screwdriver 90 degrees to ensure the cotter pin can not be withdrawn.
- With the deck centered as done in Step 9 – take the 48 inch chain attached to each “tower” and find a location on the frame. This will allow you to securely loop the chain around, and then bring it back to the tower. Attach it with the provided quick release D-Pin to the other side of the tower.
- Repeat for the opposite side – note the location points you anchor the chain. They should be on a direct line from one tower to the other or as direct as possible!
- Move the deck from side to side manually and by pushing forward, reverse and up/down on the nudge bar at the rear of the mower – tighten the chain one link on either side if required!
- Looping the chain around your frame should be done in a secure place to the frame of the ATV, there should be a connection point that is a minimum of 12” inward from the “tower” and as much as possible, the connection point - should be in-line with the tower on the other side. Use the provided D-Pins to lock the chain in place to the tower, the other side of the tower is bolted to the chain!

NOTE: When installed - the tether chains are secure, but they will remove some paint from your ATV at the attaching point when the deck operates and moves underneath you ATV as you are mowing.

If this minor paint removal is not satisfactory because of its visibility - then find a non-visible and SECURE location in another location on the ATV.

10. Trim the excess and unneeded chain from both sides of the chain towers.

IMPORTANT: DO NOT OPERATE MOWER until all excess chain is trimmed from the connection to the mower towers to the ATV – cut the chain to the minimum length required to operate the mower. Failure to trim/cut dangling chain to minimum length may cause damage to rotating drives, cutting blades, the operator and/or bystanders.

11. Operate the ATV/Mower Unit around in the area at speeds not over 5 mph (or 8 km/h) to ensure that the connections are secure and nothing has moved or shifted in the attaching points. Operate the unit SLOWLY - in reverse - turn right and left and then recheck for movement from right to left when operating forward at 5 mph.

3.4 Removing and Re-attaching the Mower

When disconnecting the Hyper-Cut Mower from your ATV, take the following Steps:





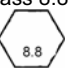
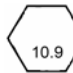
WARNING:
NEVER disconnect the ATV from the Hyper-Cut Mower with the mower engine running – **ALWAYS** shut the mower engine off before disconnecting from the ATV.

1. **Stop the ATV** where you want to leave the mower and **SHUT OFF** the ATV and place in PARK and apply the handbrake.
2. Disconnect the chains from both sides of the ATV - which connect the mower deck to the ATV by removing the D-pins, and lay the towers down flat, with the chain away from the deck.
3. **BLOCK** the rear pneumatic wheels of the mower – both forward and rear sides of the pneumatic wheels!
4. Remove the retaining pin from the rear hitch and lift the swivel hitch from the hitch pin on the ATV up and rearwards – in a resting position.
5. Grasp the mower by the nudge bar and ensure it is completely free from the ATV.
6. Re-start the ATV and – with the brake pedal “covered”, proceed slowly and with caution by driving over the deck. Clear the mower entirely and leave in place until the next “mowing” time.
7. In order to attach the ATV to the Hyper-Cut Mower, reverse steps 6 to 1.

3.5 Torque Tightening Chart

This Torque Tightening Chart is to be used to ensure that the hardware used on the Quadivator Product is tightened adequately to the design capacity of the hardware.

Use the Torque Tightening Chart when ensuring that the hardware on your Quadivator Product is secure!

American Standard Cap Screws with UNC or UNF Threads			Metric Cap Screws			
SAE Grade No.	Grade 5 – 	Grade 8 – 	Property Class		Class 8.8 – 	Class 10.9 – 
5/16	(ft-lbs)	17 - 20.5	M8	(ft-lbs)	17.4 - 20.2	21.7 - 25.3
	(N-m)	23.1 - 27.8		(N-m)	23.6 - 27.4	29.4 - 34.3
	(kgf-m)	2.35 - 2.84		(kgf-m)	2.4 - 2.8	3.0 - 3.5
3/8	(ft-lbs)	35 - 42	M10	(ft-lbs)	35.5 - 41.2	44.9 - 52.1
	(N-m)	47.5 - 57.0		(N-m)	48.1 - 55.8	60.8 - 70.5
	(kgf-m)	4.84 - 5.82		(kgf-m)	4.9 - 5.7	6.2 - 7.2
1/2	(ft-lbs)	80 - 96	M12	(ft-lbs)	57.2 - 66.5	76.0 - 86.8
	(N-m)	108.5 - 130.2		(N-m)	77.5 - 90.1	103 - 117
	(kgf-m)	11.07 - 13.29		(kgf-m)	7.9 - 9.2	10.5 - 12.0
9/16	(ft-lbs)	110 - 132	M14	(ft-lbs)	91.2 - 108	123 - 144
	(N-m)	149.2 - 179.0		(N-m)	124 - 147	167 - 196
	(kgf-m)	15.22 - 18.27		(kgf-m)	12.6 - 15.0	17.0 - 20.0
5/8	(ft-lbs)	150 - 180	M16	(ft-lbs)	145 - 166	192 - 224
	(N-m)	203.4 - 244.1		(N-m)	196 - 225	260 - 303
	(kgf-m)	20.75 - 24.91		(kgf-m)	20.0 - 23.0	26.5 - 31.0

4. OPERATION

The Quadivator Hyper-Cut Mower mounted to an ATV is designed to produce a quality finish on lawns, golf courses, etc. It is NOT designed to clear brush or to cut saplings.



WARNING:

Your Hyper-Cut mower should be attached to an ATV in the manner described in this manual. Do NOT use at speeds exceeding 5 MPH (miles per hour) or 8 kph (kilometers per hour).

The operation of any mower can cause foreign objects to be thrown in the eyes, resulting in severe eye damage. Always wear certified safety glasses or wide vision safety goggles over your glasses before starting and operating the cutting machine.

CAUTION:

Mower operation produces sound waves that can damage the human ear – wearing ear protection is recommended!

4.1 Making the best of your Hyper-Cut Mower

When using your Hyper-Cut Mower for the first time, choose a smooth, level area and cut in a straight line with slightly overlapping strips.

The size and type of the area to be mowed will determine the proper mowing pattern. Take into account obstructions such as trees, fences and buildings. Do not use mower to clear brush or to cut saplings.

Mow the remaining area - work in a counter clockwise direction, so the cuttings are spread to the previously cut area.

Most lawns should be mowed to keep the grass 2.5 to 3.0 inches (62 to 80 mm) high. Best results are obtained by cutting often and not too short. To keep a lawn green, never mow more than one third of the height of the grass or a maximum of 1 inch (25 mm) in one mowing.

For extremely tall grass: set the cutting height at or near the maximum height for the first mowing or cutting pass, then lower the cutting deck to

the finish height and mow again – 90° from the first cut if possible. Allow the grass to grow to 3 inches and cut off only the top inch.

For best appearance, grass should be cut in afternoon or evening when it is free of moisture.

4.2 Cutting Height



WARNING:

To avoid personal injury NEVER operate the mower in transport position!

Check the pneumatic wheels on the Hyper-Cut mower *daily*. They should have 45psi.

Cutting height can be adjusted from 1 – 3.75 inches (25 to 95 mm). Set the cutting height by operating the Height Control Lever.

On thick springy grass or soft ground, the mower rollers may sink into the ground giving too low a cut – adjust the cutting height deck with the Height Control Lever to compensate for the soft ground conditions.

Use the higher or taller settings for mowing in a rough area or when mowing high grass. Lower settings should be used only for smooth lawns - where short grass is desired.

4.3 Operating Mower



DANGER:

To avoid serious injury or death, DO NOT operate mower without discharge deflector properly bolted in place.

Run the Hyper-Cut Mower engine at full throttle for best mowing results.

Control forward travel speed by ATV forward speed – DO NOT mow more than 5 mph or 8 KPH.

During heavy duty use, operate the machine at a slower speed or go over the area twice.

The mower blades will not cut cleanly if the ground speed is too high or if the blade speed drops due to an overload.

IMPORTANT: To prevent engine overheating, keep the air inlet screen on the top of the motor clean at all times!

5. MAINTENANCE

5.1 Service Intervals

Item #	Check Point	Use Hour Interval (change or check every interval)		
		Check Daily	50 Hours or Weekly	Annually
1	Check Mower Blade Wear	X		
2	Ensure Blade Cap Screws are Tight	X		
3	Check all Hardware are Tight	X		
4	Clean Mower Deck	X		
5	Check Drive Belt Tension	X		
6	Check Engine Oil Level	X		
7	Check Security of Hitch Pin - located on ATV Hitch	X		
8	Ensure Hitch Security Pin is in place - through the ATV hitch pin	X		
9	Ensure the Deck Restraining Chains are secure – BOTH ENDS	X		
10	Ensure that Hitch Assembly on the Mower is secure and moves freely	X		
11	Remove any Debris build up on Engine Cooling Air Intake.	X		
11	Shut Fuel OFF after usage session is over – NOTE: Fuel shut off valve located beneath the fuel tank.	X		
12	Check Deck Drive Belt Tension – Engine to the Mower Deck		X	
13	Do general Engine Check - including the air filter check		X	
14	See the Engine Manufacturers recommendations for servicing.		X	X
15	Replace Mower Blades			X
16	Check Deck & Drive Belts for Physical Wear			X

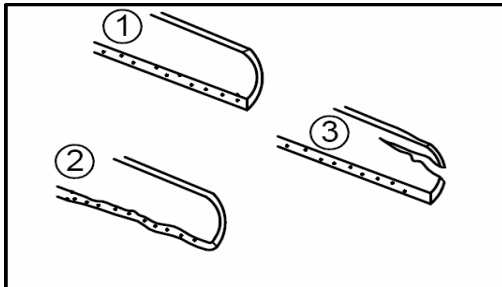
5.2 Blade Replacement



CAUTION:
To avoid personal injury
ALWAYS handle the blade
with care to avoid injury!

IMPORTANT: The blade retaining bolts have **RIGHT HAND THREADS**. Turn the bolts counterclockwise to loosen.

The blades should be kept sharp at all times. Sharpen the cutting edges if they appear like blade labeled – 2. Any blade that resembles – 3 – should be replaced immediately.



Check the blades on the Hyper-Cut Mower by lifting the deck, blocking it on one side and then examining the blades; if they need to be sharpened or changed remove the Hyper-Cut Mower from the ATV.

IMPORTANT: Replace mower blades that have been damaged or deeply nicked.

To remove the blade(s) from the mower, lift one side of the mower up in the air and block it securely. Wedge a block of wood between the blade and the mower deck housing of that blade to prevent the spindle from rotating while the blade retaining bolt is removed. Loosen the blade by turning the blade retaining bolt counterclockwise.



DANGER:
To avoid personal injury, wear
heavy gloves when removing
blades. **BLADES MAY BE SHARP!**

Make sure that the washer is not flattened or worn – use all of the hardware to re-assemble the blade retainer that you removed from the blade from the mower!

To sharpen the blades – hold the blade securely in a vise – and use a large file along the original blade bevel until it is sharp. The blade should be checked for balance by using a secure horizontal rod. Slide the blade into the horizontal rod – if it rotates, file some material from the side that goes down (the heavy side).

IMPORTANT: Tighten the blade bolt retaining bolt to 85 – 90 ft-lbs or (115 – 122 N-m) when re-attaching!

5.3 Belt Replacement

IMPORTANT: There are two belts on the Hyper-Cut Mower, the Deck Belt that operates the spindle drives on the deck and the Deck Drive Belt that drives from the clutch beneath the engine to the deck drive pulley.

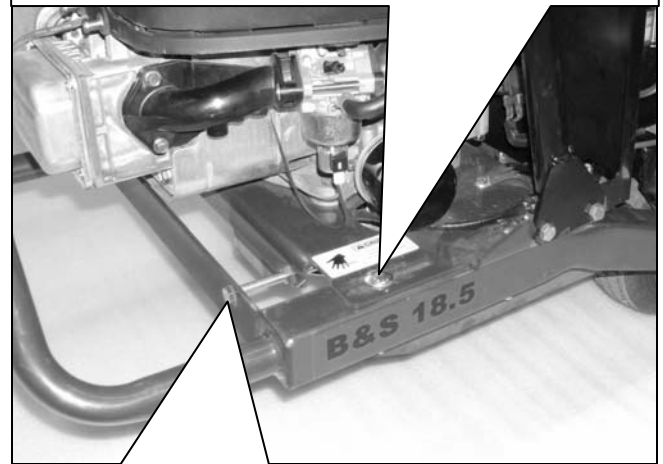
In order to change the belts – remove the mower from the ATV. This will ease their replacement.

Replacement of the Deck Drive Belt: front to the rear of the mower.

Remove the deck drive shield on the mower deck.

Loosen the four engine plate retaining bolts and loosen the belt tension bolts at the rear of the Power Unit.

Loosen the four engine plate retaining bolts and loosen the belt tension bolts at the rear of the Power Unit.



NOTE: Belt tension bolts – clockwise for belt tension – counter clock-wise for loosening.

Slide the engine plate forward to release belt tension and remove the belt. It can either be removed from the pulley at the rear (under the engine) or can be removed from the front (the driven pulley).

INFORMATION: If the deck belt needs replacing, at this point in the disassembly – replace the deck belt.

Place the new deck drive belt in pulley in the front, then loop it through the idlers on the rear section of the power unit and attach around the drive clutch pulley.

Re-tension the new deck drive belt by applying tension to the belt through the tensioning bolts at the rear of the power unit frame. Visually verify the belt is routed correctly between the pulleys, is not twisted and running straight - then do final tightening with the tensioning bolts.

Replacement of the Deck Belt

Remove the belt by pulling and keeping the tensioner away from the belt and then remove the belt that has been loosened.

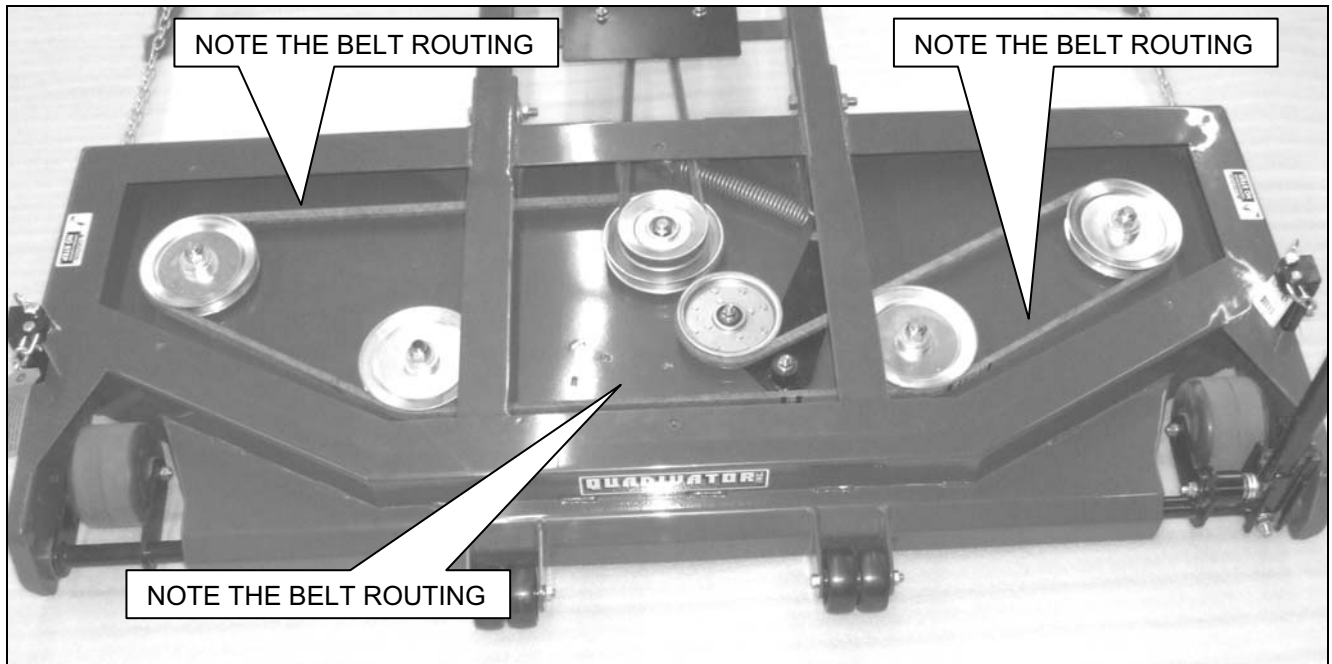
The Deck Belt is spring loaded to maintain consistent deck belt tension! It is not necessary to remove the springs to remove the belt.

Re-install the Deck Belt by reversing the direction of removal – install on one pulley and route through the idlers and then gently “pry” the belt into place with a non-metal pry bar – nylon works well.

5.4 Storage

If the Hyper-Cut Mower is to be stored for more than 30 days, prepare the unit as follows:

- 1. Store the Hyper-Cut mower with the Drive Belt tension “relaxed”.
- 2. Disengage blades to prevent the Drive Belt from being permanently stretched.
- 3. Clean mower deck of accumulated material.



6. TROUBLESHOOTING SECTION

Problem	Cause	Remedy
Discharge chute plugged	Grass is too wet. Grass is too long. Cutting too low. Engine RPM too low. Ground speed too fast.	Wait for grass to dry. Raise cutting height and cut grass twice. Raise cutting height. Mow at full throttle. Slow down.
Streaking of uncut grass	Ground speed too fast. Engine RPM too low. Grass is too long. Blades dull or damaged. Debris in the mower deck.	Slow down. Mow at full throttle, check and reset engine RPM. Cut grass twice. Replace blades or have the blades sharpened. Clean mower deck.
Uneven cut	Ground speed too fast. Blades are dull. Blades are worn. Low tire pressure.	Slow down. Have the blades sharpened. Replace blades. Add air to correct.
Blades scalping grass	Cutting height too low. Turning speed too fast. Ridges in terrain. Bent blade(s).	Raise cutting height. Reduce speed on turns. Change mowing pattern. Replace blade(s).
Belt Slipping	Mower deck plugged. Debris in pulleys. Worn Belt.	Unplug and clean mower deck. Clean Pulleys Replace Belt
Excessive vibration	Debris in mower decks or in pulleys. Damaged drive belt. Damaged pulleys. Blades out of balance.	Clean mower deck and pulleys. Replace drive belt. Replace pulleys. Have the blades balanced.
Mower loads down machine.	Engine RPM too low. Ground speed too fast. Debris wrapped around the mower spindles.	Mow at full throttle, check and reset engine RPM. Slow down. Clean mower.
Mower does not START	Fuel valve left in OFF position. Kill Switch cover is not completely installed Battery level is low or poor!	Turn gasoline valve ON. Remove the switch cover, lanyard and re-install on the switch. Re-charge or replace the battery.

7. REPLACEMENT PARTS

The following pages contain parts illustrations and replacement part numbers for all components for the Quad Hyper-Cut Mower. At the time of printing, some of the minor parts in the manual may become outdated.

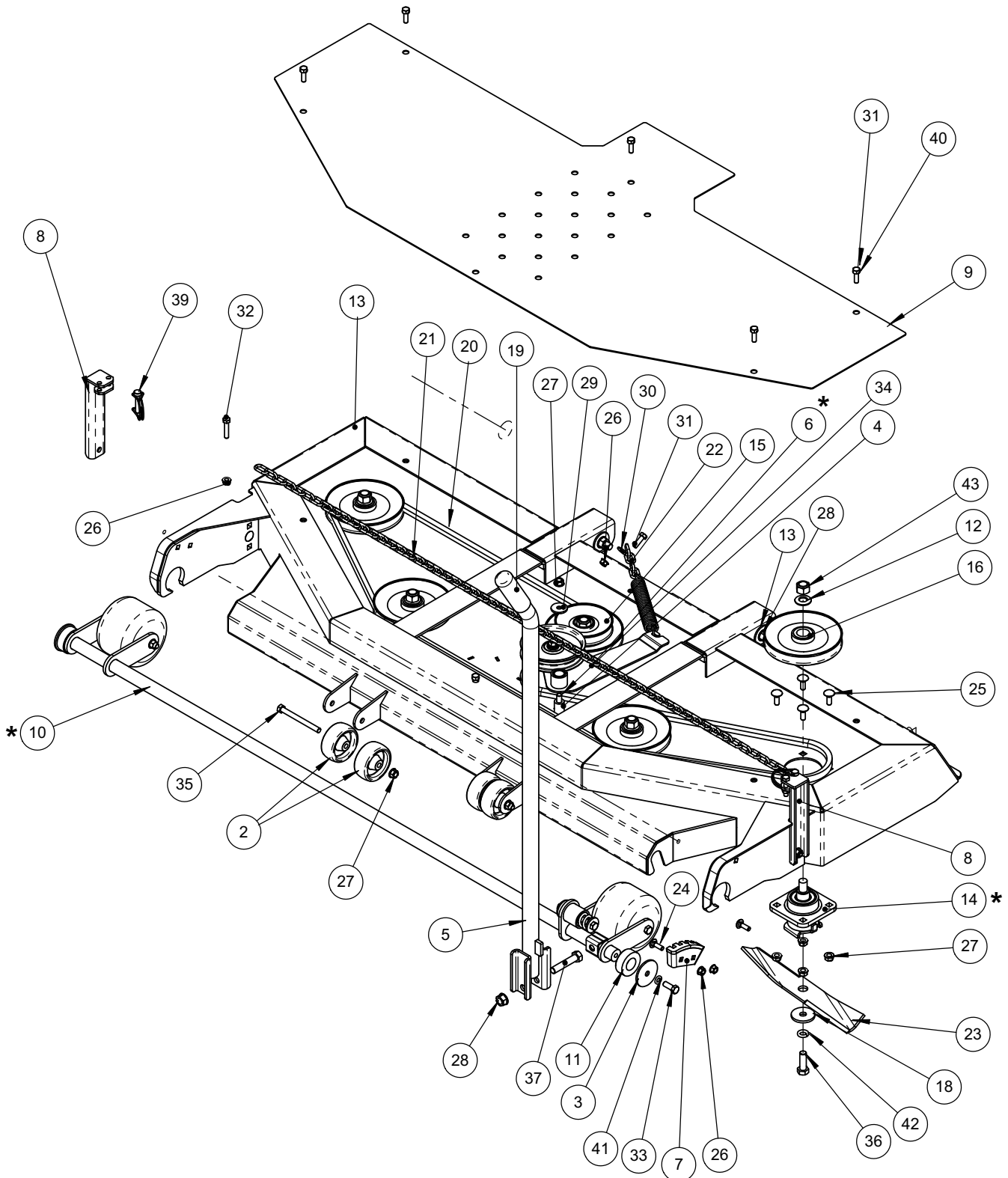
To obtain replacement parts, please contact your Quadivator Dealer for service. To locate the nearest dealer, please contact a Quadivator Representative using the contact information at the beginning of the manual.

When ordering parts – please have the following information on hand:

- *Part Number you are looking for.*
- *Model Number and Serial Number of the machine.*
- *Quantity required.*

To ensure warranty support for your Quadivator, please fill out the Warranty Registration Card located in the Operators Manual.

Cutting Deck Assembly (87700-06)



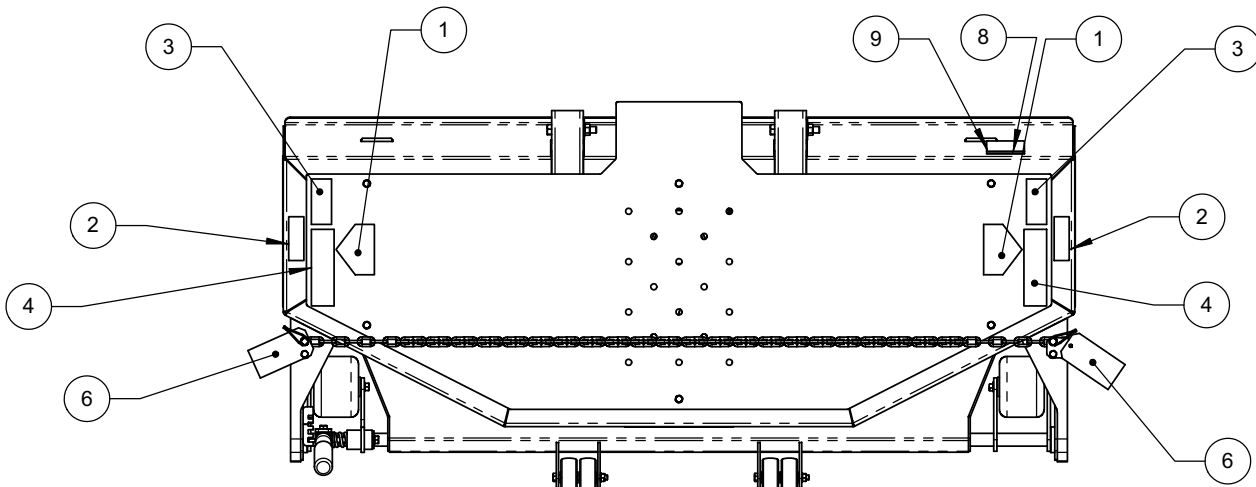
*NOTE: For parts breakdown or sub-assemblies marked with asterisks *: See the following pages in the Parts Section of the Operators Manual.

Cutting Deck Assembly

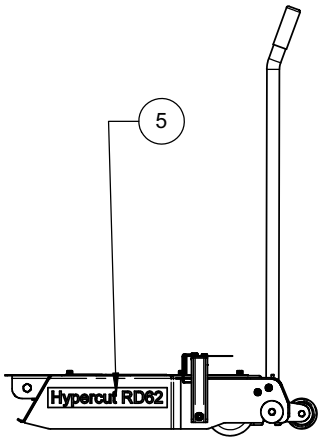
(87700-06)

ITEM	QTY.	PART	DESCRIPTION
1	1	16603	Spring-Extension-Transport Lock
2	4	86188	Wheel 3.00OD x 1.25 - 0.375" Plain Bore
3	2	87637	Washer - Retainer, Wheel Ass'y
4	1	87642	Shaft - Pivot
5	1	87645	W.A. - Height Control Lever
6	1	87650	Assembly - Tensioner Arm, 4.5" Idler
7	1	87655	W.A. - Bracket, Height Control
8	2	87660	W.A. - Tower, Chain Anchor
9	1	87672	Shield - Deck
10	1	87675	Assembly - Axle
11	2	87692	Bushing - Front Wheel
12	5	87701	Disc Spring Washer (5/8 x 1-1/4 x .075")
13	1	87710	W.A. - Cutting Deck, RD62 2006
14	5	87715	Assy - Hub & Spindle, Keyless
15	1	87720	Double Pulley, Plated -06, 4.425"
16	4	87725	Pulley Weld't,Plated, 4.42" -06 Keyless
17	2	88403	Washer - Retainer
18	5	88404	Washer - 13 x 46mm
19	1	88536	Handle Grip
20	1	88645	Belt, Deck RD62 - Carlisle # 7-8228
21	2	88650	Chain, Stabilizer - 51.4" of 3/16
22	1	88736	Chain, 5 Links (4.25") of 3/16
23	5	88751	Blade- Std - 13.25"
24	2	CB.313x1	Carriage Bolt 5/16 x 1
25	22	CB.375x1	Carriage Bolt 3/8 x 1
26	5	FHN.313	Flange Lock Nut, Uitorque 5/16 NC
27	25	FHN.375	Flange Lock Nut-3/8 NC Uitorque
28	3	FHN.5	Flange Lock Nut-Uitorque -1/2-13NC
29	1	FNW.375x1.25X.12	Flt Fndr Wshr 3/8"IDx1.25"ODx.125 Thk
30	1	FW.313	Flat Washer 5/16 Std
31	7	HB.313x1	Hex Head Bolt 5/16-18 X 1
32	2	HB.313x1.5	Hex Head Bolt 5/16-18 X 1 1/2
33	2	HB.375x1	Hex Head Bolt 3/8-16 X 1
34	1	HB.375x2	Hex Head Bolt 3/8-16 X 2
35	2	HB.375x4	Hex Head Bolt 3/8-16 X 4
36	5	HB.5Fx1.5NPG8	Bolt, Hex 1/2F-20 x 1.5 Gr 8
37	1	HB.5x2.5	Hex Head Bolt 1/2-13 X 2 1/2
38	2	HB.5x3.5	Hex Head Bolt 1/2-13 X 3 1/2
39	2	LP.313x1.375	Lock Pin 5/16 x 1-3/8" Zinc Pltd.
40	6	LW.313	Lockwasher-5/16
41	2	LW.375	Lockwasher-3/8
42	5	LW.5	Lockwasher-1/2
43	5	TLN.625F	Nut, Top Lock -5/8-18 NF Zinc Pl

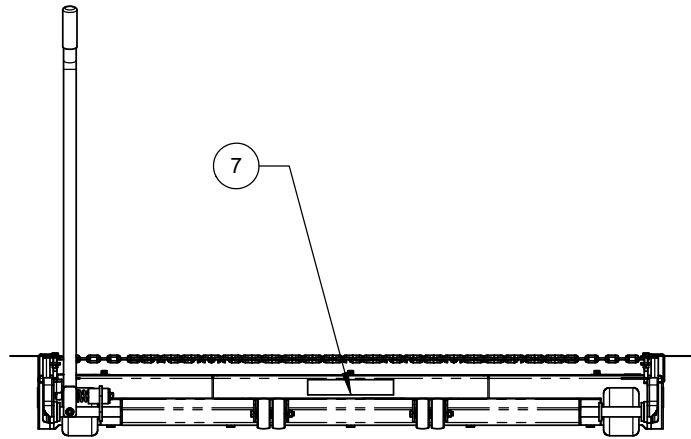
Decal Locations - Hyper-Cut Mower



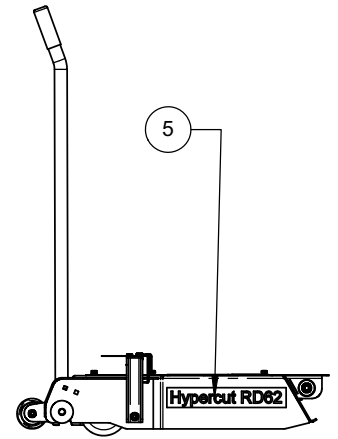
TOP VIEW



SIDE VIEW



FRONT VIEW

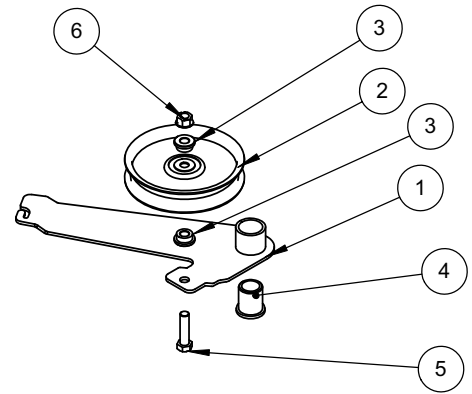


SIDE VIEW

ITEM	QTY	PART	DESCRIPTION
1	2	88590	Decal - Warning (Keep Hands and Feet Away)
2	2	88593	Decal-Caution Unstable Surface
3	2	88599	Decal, Warning-Keep Hands Clear
4	2	88602	Decal, Danger, Spinning Blades
5	2	88612	Decal, Model - Hyper-Cut RD62
6	2	88657	Tag, Warning - Excess Chain
7	1	88665	Decal-Quadvator Corp-1.75 x 8.5"
8	1	88666	Decal - Serial Plate Foil (1 5/8 x 3.00")
9	1	88667	Decal - Mylar Overlay, Frosted

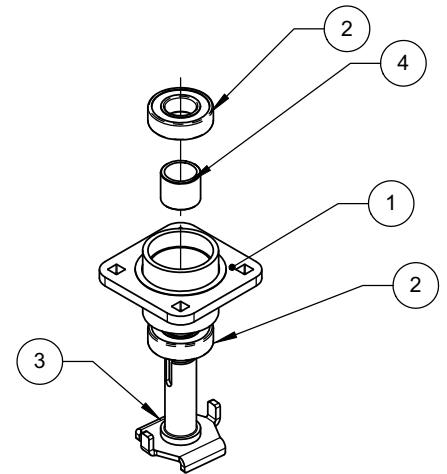
87650 - Tensioner Arm Assembly

ITEM	QTY.	PART	DESCRIPTION
1	1	87640	WA - Arm, Tensioner - RD62
2	1	88576	Idler Pulley - 4.5"
3	2	88540	Spacer - Bushing
4	1	88579	UNMW - Flange Bearing
5	1	HB.375x1.5	Hex Head Bolt 3/8-16 X 1 1/2
6	1	FHN.375	Flange Lock Nut-3/8 NC Uunitorque



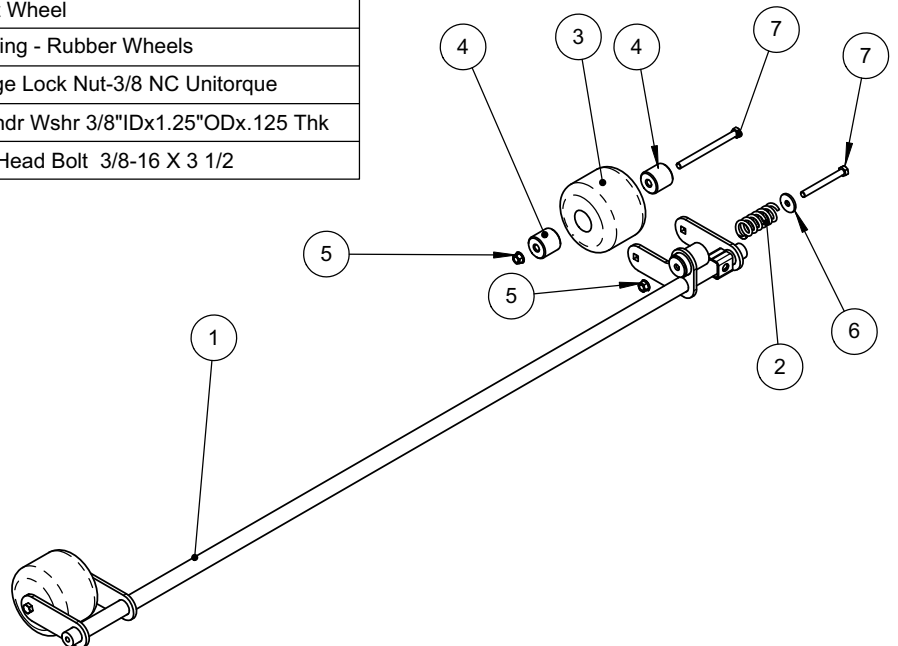
88715 - Hub & Spindle Assembly - version 06

ITEM	QTY.	PART	DESCRIPTION
1	1	88420	W.A. - Bearing Hub
2	2	88559	Bearing - 6205-2RS ID-25, OD-52 & W-15
3	1	88714	W.A. - Blade Spinner
4	1	88568	Tube - Spacer, (NA)



87675 - Axle Assembly

ITEM	QTY.	PART	DESCRIPTION
1	1	87630	W.A. - Front Axle
2	1	87693	Spring, Compression
3	2	88178	Front Wheel
4	4	88383	Bushing - Rubber Wheels
5	3	FHN.375	Flange Lock Nut-3/8 NC Uunitorque
6	1	FNW.375x1.25X.12	Flt Fndr Wshr 3/8"IDx1.25"ODx.125 Thk
7	3	HB.375x3.5	Hex Head Bolt 3/8-16 X 3 1/2



WARRANTY REGISTRATION – Quadivator Hyper-Cut Mower

Please fax this sheet to (204) 239-4271 or mail it to:

Quadivator Inc.
P.O. Box 1127
1000 – 6th Ave NE
Portage la Prairie
Manitoba, R1N 3C5
CANADA

Hyper-Cut Mower Model #

Hyper-Cut Mower Serial #

Purchased by (Name)

Address-

City

State/Prov./Mail Code

Dealer -

Date Purchased (D/M/Y)

Thank you!

