



**Caster Ski Kit Assembly**  
(89360)

The caster skis attach to each caster wheel on the Interframe. They provide additional flotation in deep snow conditions.

**Assembly**

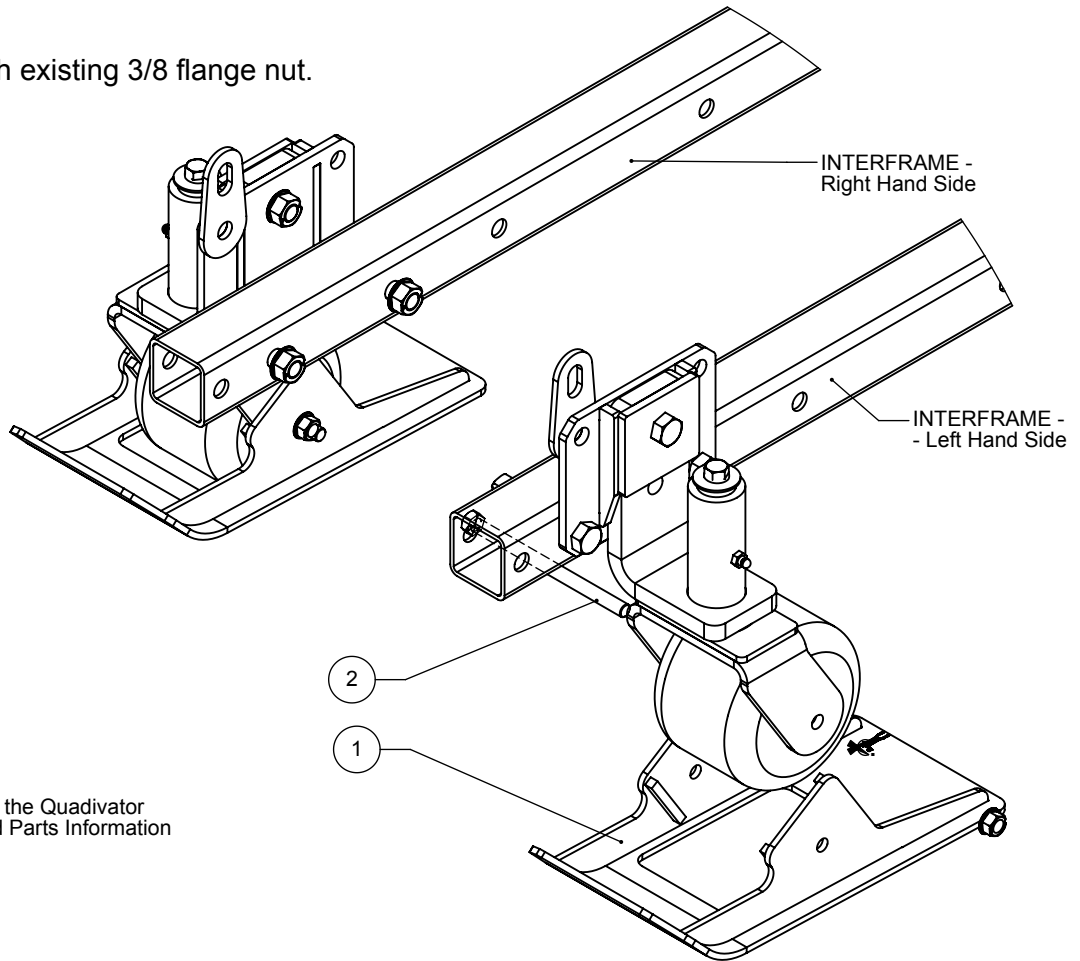
Installation of the caster skis can be made easier by installing before the attachment is installed; or remove the attachment.

1. Remove existing 3/8 x 5 bolt from wheel.

**NOTE:** Install ski in direction of forward travel.

2. Align ski with wheel and install using new 3/8 x 5-1/2 bolt.

3. Tighten securely with existing 3/8 flange nut.



NOTE: Keep the instructions with the Quadivator Operators Manual - Operation and Parts Information are included.

QUADIVATOR INC.  
1000 6th Ave. NE  
Portage la Prairie, MB  
Canada R1N 3C5  
www.quadivator.com

ITEM	QTY.	PART	DESCRIPTION
1	2	89815	W.A. - Ski, Caster
2	2	HB.375x5.5	Hex Head Bolt 3/8-16 X 5 1/2