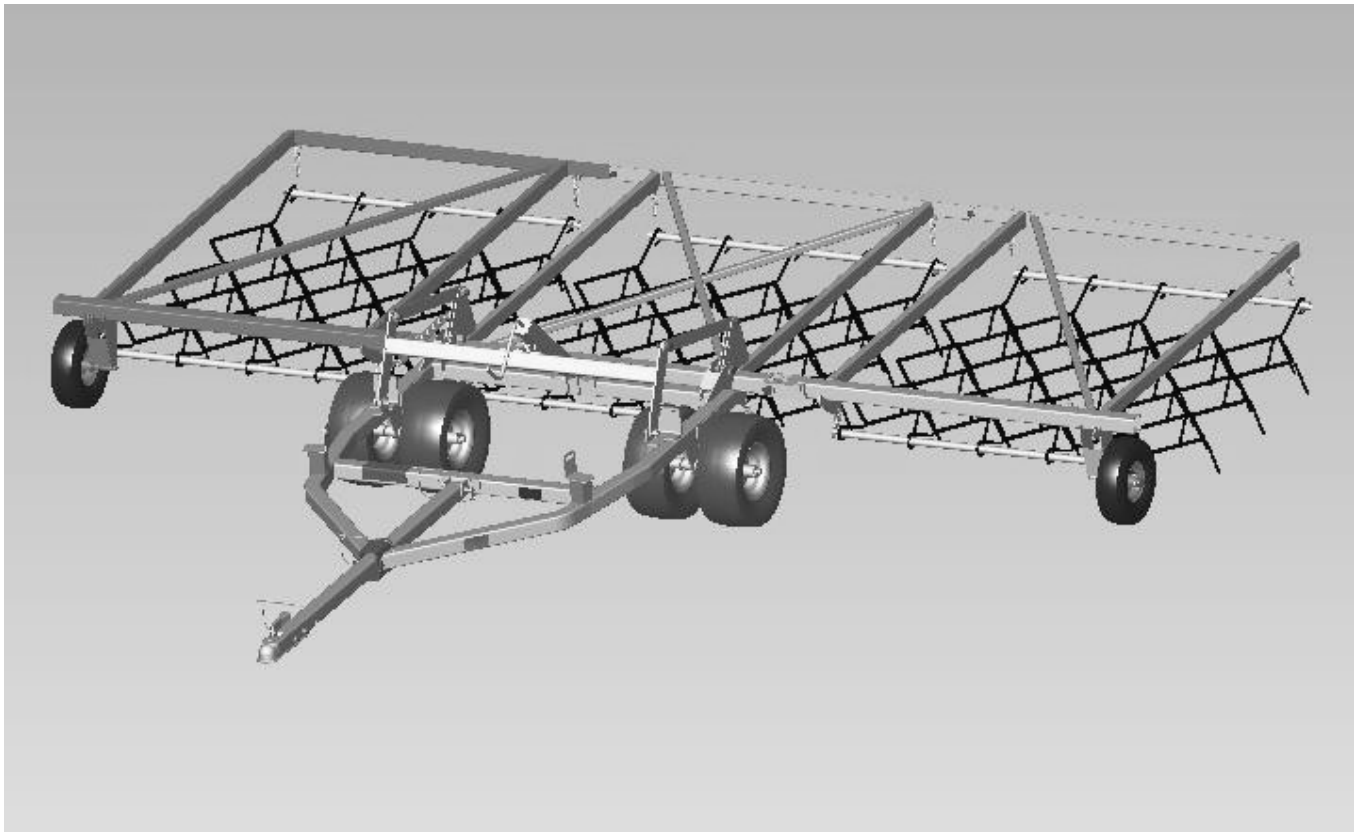


Assembly/Operators/Parts Manual

English Language Version 08

Printed: xxxxxx 2009



READ & SAVE THIS MANUAL

QUADIVATOR INC.
1000 6th Ave. NE
Portage La Prairie, MB
Canada, R1N 3C5
www.quadivator.com

Part #: 86XXXA

QUADIVATOR WARRANTY POLICY

The warranty for the Quadivator Product is a limited warranty.

The manufacturer's warranty to the original customer is - the product is free from defects in materials and workmanship for a period of one (1) year from the date of purchase by the original purchaser.

We will repair or replace, at our discretion, parts found to be defective due to materials and workmanship.

The warranty is subject to the following limitations and exclusions:

- 1. Engine Warranty** - all engines utilized on our products have a separate warranty extended to them by the engine manufacturer. Any engine service difficulty is the responsibility of the engine manufacturer and in no way is Quadivator Inc. or its agents responsible for the engine warranty. The Briggs & Stratton Engine Service Hot Line is 1-800-233-3723.
- 2. Commercial Use** - the warranty period for any product used for commercial or rental use is limited to ninety (90) days from the date of original purchase.
- 3. Limitations** - the warranty applies only to products which have been properly assembled, adjusted and operated in accordance with the instructions contained in this manual. The warranty does not apply to any product of Quadivator Inc. that has been subject to alteration, misuse, abuse, improper assembly or installation, shipping damage or normal wear of the product.
- 4. Exclusions** - excluded from this warranty are normal wear, normal adjustments and normal maintenance.

In the event you have a claim under this warranty, you must return the product to an authorized service dealer. All transportation charges, damage or loss incurred during transportation of parts submitted for replacement or repair under this warranty shall be borne by the purchaser. Should you have any questions concerning this warranty, please contact us toll-free at 1-866 770-2169 or on our web-site at www.quadivator.com. The model, serial numbers, date of purchase and the name of the authorized Quadivator dealer from whom you purchased the Quadivator Product will be needed before any warranty claim can be processed.

This warranty does not apply to any incidental or consequential damages and any implied warranties are limited to the same time periods stated for all expressed warranties. Some provinces and states do not allow the limitation of consequential damages or limitations on how long an implied warranty may last, so the above limitations may not apply to you. This warranty gives you specific legal rights and you may have other rights, which vary from province to province or state to state.

This is a limited warranty as defined by the Magnusson-Moss Act of 1975.

FOREWORD

Congratulations on the purchase of your new Quadivator UTV Harrow. To obtain the best use of your Quadivator UTV Harrow, read this manual *carefully*. It will help you become familiar with the operation and maintenance of the Quadivator UTV Harrow. It is Quadivator Policy to use all research, design and manufacturing improvements to improve our products. At the time of printing, this may result in some of the minor parts in the manual becoming outdated.

Quadivator will have the most up to date parts and service information – call 1 866 770-2169 for service information and parts orders!

Contact Information

Quadivator Inc.
1000 – 6th Ave NE
Portage la Prairie, MB
Canada, R1N 3C5

E-mail: mailbox@quadivator.com
Website: www.quadivator.com
Tel. 866-770-2169
Fax. 204-239-4271



SAFETY FIRST

This symbol, the industry's "Safety Alert Symbol", is used throughout this manual and on labels on the unit itself to warn the possibility of personal injury.

Read these instructions carefully.

It is essential that you read the instructions and safety regulations before you attempt to assemble or use this unit.



DANGER

Indicates an imminent hazardous situation, which if not avoided, will result in death or serious injury.



WARNING

Indicates a potentially hazardous situation which, if not avoided, could result in death or serious injury.



CAUTION

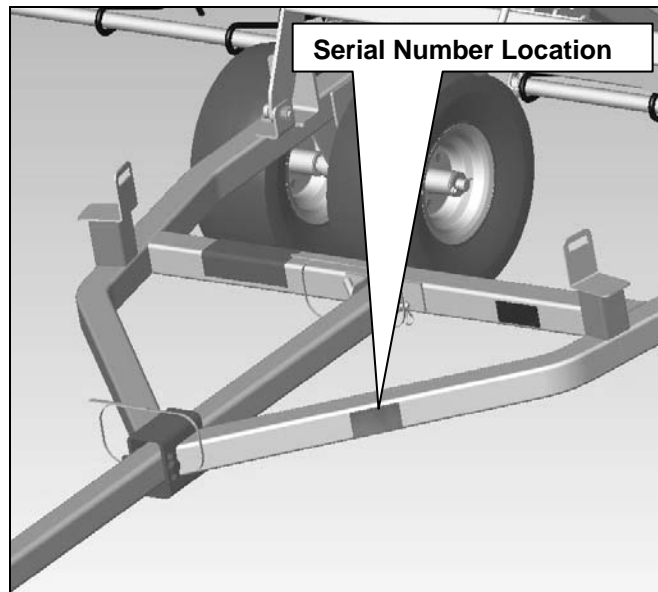
Indicates a potentially hazardous situation which, if not avoided, may result in minor or moderate injury.

NOTE

A NOTE provides key information to make procedures easier or clearer.

Table of Contents

1.	Foreword / Safety First.....	i
2.	Pre-delivery Checklist.....	iii
3.	Owners Registration & Delivery Checklist.....	iv
4.	Safe Operation	1
5.	Setup	3
6.	Operation.....	4
7.	Maintenance.....	5
8.	Troubleshooting.....	7
9.	Torque Chart.....	8
10.	Parts.....	9
11.	Warranty Registration.....	13



PRE- DELIVERY CHECKLIST

Check off all items as they are found satisfactory or after adjustments are made:

- All safety shields and guard are securely in place.
- All decals are in place and readable.
- Tighten all hardware – see Bolt Torque Chart in Service Section (page 8).
- Check tire inflation pressure and set to 30 psi for Main Frame and 30 psi for Lift Frames.
- Operate for 5 – 10 minutes, check for excessive operation or unusual noise, when using the Quadivator UTV Harrow and attachment(s).

- The Quadivator UTV Harrow and customer ordered attachments have been tested and to the best of my knowledge, is ready to be delivered to the customer!

Date Pre-delivered –

Signature –

OWNER’S REGISTRATION

Name –

Address –

City/Town –

State/Prov. –

Postal/Zip (Mail) Code -

Model & Serial # –

Date Sold –

DELIVERY Checklist – Review with customer:

- Tell the customer not to remove any of the safety shields or guards.
- Review the Quadivator Warranty.
- Review the Safe Operation and Service of the Quadivator Attachment.
- Review the Daily and Periodic Lubrication and Maintenance.
- Review the Daily and Periodic Inspections.
- Review with the customer the Parts & Service Availability.

Prior to delivery to the customer, do the following:

- Record Serial Numbers for the Quadivator Products
- Sign and copy this section for the dealer’s record.
- Give the customer the Operators Manual and encourage the customer to read the manual.

Date Delivered –

Signature –

Safe Operation



DANGER

Failure to observe the following safety instructions could result in serious injury and or death.

General Operation

1. Read, understand, and follow all instructions on the machine and in the manual(s) before starting.
2. Do not put hands or feet near rotating parts or under the machine.
3. Allow only responsible adults, who are familiar with the instructions, to operate this machine.
4. Be thoroughly familiar with the controls and the proper use of the equipment. Know how to stop the unit and disengage the controls quickly.
5. Be sure the area is clear of bystanders before operating. Stop machine if anyone enters the area.
6. NEVER CARRY PASSENGERS while operating any attachments.
7. Disengage the clutch on the UTV or compact tractor and shift into neutral before starting or attaching the UTV attachment. Always look down and behind before and while backing up.
8. Handle fuel with care, it is highly flammable:
 - (a) Use an approved fuel container.
 - (b) Never add fuel to a running engine or hot engine.
 - (c) Fill fuel tank outdoors with extreme care. Never fill fuel tanks indoors.
 - (d) Replace gasoline cap securely and wipe up spilled fuel.
9. Do not operate machine without the guards and other safety devices in place and working.
10. Do not wear loose clothing or jewelry.
11. Slow down unit before turning.
12. Never leave a running machine unattended. Always turn off unit, secure parking brake, stop engine and remove key before dismounting.

13. Shut off engine and wait for all parts to come to a complete stop before cleaning, servicing and/or unplugging the machine.

14. Operate machine in daylight or good artificial light.

15. Do not operate machine while under the influence of alcohol, medication or drugs.

16. Watch for traffic when operating near or crossing roadways.

17. Use extra care when loading or unloading the machine into a trailer or truck.

18. Always wear eye protection when operating or servicing machine.

19. Do not run UTV or compact tractor engine indoors, except when starting. Open the outside doors: *Exhaust Fumes ARE Dangerous!*

Slope Operation

1. Slopes are a major factor related to loss of control and tip-over accidents, which can result in severe injury or death.
2. Operation on all slopes requires extra caution. Do not use the attachment, if you cannot back up the slope or if you feel uneasy on it.
3. Go up and down slopes, not across.
4. Watch for holes, ruts, bumps, rocks, or other hidden objects. Uneven terrain could overturn the machine. Tall grass can hide obstacles.
5. Choose a low ground speed so you will not have to stop or shift while on a slope.
6. Do not work on wet grass. Tires may lose traction.
7. ALWAYS keep the UTV or compact tractor in gear when going down slopes. Do not shift to neutral and coast downhill.
8. Avoid starting, stopping, or turning on a slope. If the tires lose traction, raise the attachment and SLOWLY proceed straight down the slope.

9. Keep all movement on slopes slow and gradual. Do not make sudden changes in speed or direction, which could cause the machine to roll over.

10. Use extra care while operating machine with additional or other attachments; they can affect the stability of the machine. Do not use on steep slopes.

11. Do not try to stabilize the machine by putting your foot on the ground.

12. Do not work near drop-offs, ditches or embankments. The machine could suddenly roll over if a wheel goes over the edge or if the edge caves in.

Children



WARNING:
Tragic accidents can occur if the operator is not alert to the presence of children. Children are often attracted to the machine and the attachment. Never assume that children will remain there - the last time you saw them.

1. Keep children out of the working area and under the watchful care of a responsible adult - other than the operator.
2. Be alert and turn machine off if a child enters the area.
3. Before and while backing, look behind and down for small children.
4. Never carry children, even with the attachment shut off. They may fall off and be seriously injured or interfere with safe machine operation. Children who have been given rides in the past may suddenly appear around the unit for another ride and be run over or backed over by the machine.
5. Never allow children to operate the machine!
6. Use extreme care when approaching blind corners, shrubs, trees, or other objects that may block your view of a child.

Towing

1. Tow only with a machine having a hitch designed for towing. Do not attach towed equipment except at the hitch point.
2. Follow the manufacturer's recommendation for weight limits for towed equipment and towing on slopes.
3. Never allow children or others in or on towed equipment.
4. On slopes, the weight of the towed equipment may cause loss of traction and loss of control.
5. Travel slowly and allow extra distance for stopping.

General Service

1. Keep all nuts and bolts tight to be sure the equipment is in safe working condition.
2. Never tamper with safety devices. Check their proper operation regularly.
3. Keep machine free of grass, and other debris build-up.
4. If you strike a foreign object, stop and inspect the machine. Repair, if necessary, before restarting.
5. Never operate the machine at high transport speed. Use care when backing up.
6. Maintain or replace safety and instruction labels, as necessary.
7. Use only attachments and accessories approved by the manufacturer.

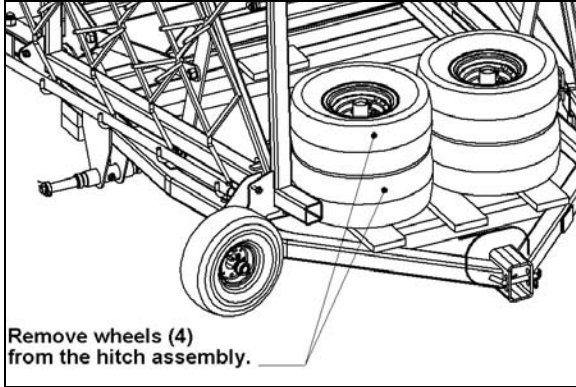
Maintenance

1. Maintain or replace safety and instruction labels as necessary.
2. Never tamper with safety devices and check their operation regularly.

Setup

NOTE: RIGHT and LEFT hand sides are determined by the forward travel of unit.

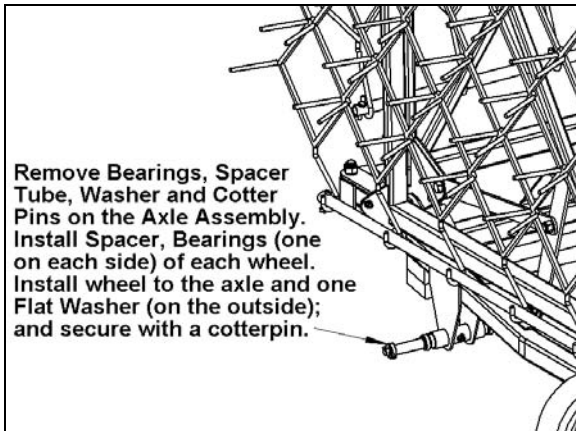
1. Uncrate unit, remove wheel assemblies and place along the sides of the harrow cart frame. Make sure the surface for assembling the harrow is level.



The UTV Harrow is in transport position and top heavy. Lift unit evenly onto support stands to avoid a sudden weight shift. Do not remove lift lock tube until an actuator or lift cylinder is installed.

2. Place equal sized support stands (at least 18 inches high) at each corner of the main harrow cart frame. This eases installing the hitch tube and wheels.

3. Remove wheel bearings, spacer tube and flatwasher from each axle shaft.

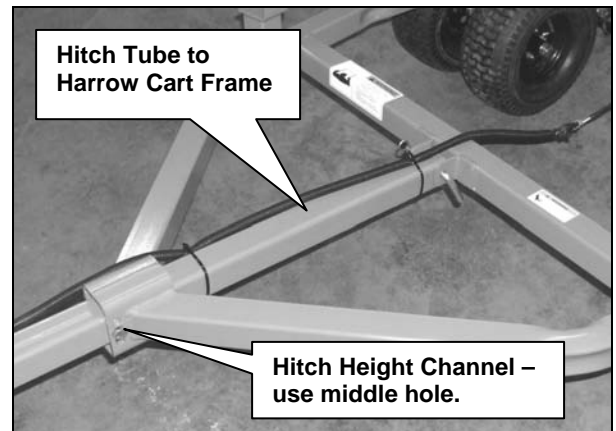


4. Clean axle shafts and inside each wheel before installation. Place spacer tube inside wheel hub; bearings on each side of wheel hub. Secure wheel with the flatwasher (found on the axle shaft) and cotterpin.

5. Repeat tire installation for other side of harrow cart frame.

6. Insert hitch tube through hitch height channel and secure to harrow cart frame with a bent pin and hitch pin.

7. Secure hitch tube to hitch channel at front of harrow cart frame using a bent pin with hitch pin. Use the middle hole on hitch height channel.



8. Check tire pressures for all wheels - they should be 30 psi.

9. Remove support stands. Lower evenly the UTV Harrow to the ground so wheels and hitch contact at the same time.

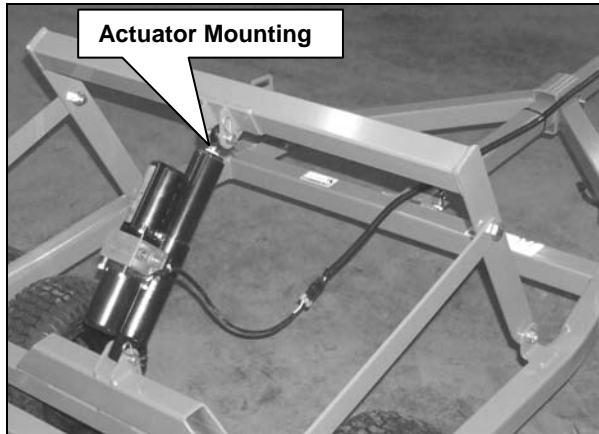
10. Remove shipping materials from unit.

IMPORTANT: Do not remove lift lock tube until an actuator or lift cylinder is obtained

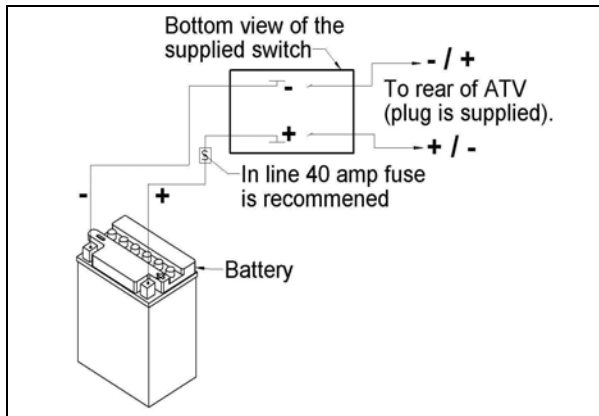
NOTE: The chains used to secure the harrows to the lift frames (front and rear) are 6 links long. Remove any kinks or twists on these chains.

Actuator Installation (if so equipped)

1. Position actuator (piston end to the lift rock shaft weldment) to brackets on lift rockshaft weldment and harrow weldment. Secure actuator using 5/8 clevis pins and hitch pin clips.



Actuator Installation



Electrical Installation

12. Route electrical wiring from actuator along the harrow cart weldment to the hitch frame, and to the front hitch coupler. Route away from pinch points and moving parts that could catch the wiring. Secure with tiestraps.

13. Mount the supplied switch to a convenient location on the UTV or compact tractor. Check the battery to ensure which are the positive (+) pole and negative (-) pole.

14. Grease all wheels using multi-purpose grease. Stop greasing when grease comes out of the bearings.

Operation

NOTE: A 2" hitch ball is required when using with the UTV, ATV or compact tractor.

The Quadivator UTV Harrow is attached to the rear 2" hitch ball of the UTV or compact tractor.

Actuator only: it is equipped with electric depth control which is operated from a switch that is mounted on the UTV, ATV or compact tractor.



WARNING:

Always wear certified safety glasses or wide vision safety goggles over your glasses before starting, maintaining and operating the UTV harrow.

Check the pneumatic wheels on the UTV Harrow daily. The tires on the Harrow Cart Frame should have 30 psi. The smaller turf tires on the left and right hand lift frames should have 30 psi.

Do not exceed 6 mph (or 9 kph). The UTV harrow will not do a good finishing job - if ground speed is too high.

During heavy duty use, operate at a slower speed or go over the area twice. Repeat, if necessary.

General Operation

Use the following guidelines to help ease using your UTV Harrow:

1. Attach the harrow to the rear hitch of the UTV or compact tractor. Secure with the locking handle on the harrow hitch.
2. Attach electrical switch to UTV to operate the actuator. Route & secure electrical wiring so it is away from contact or pinch points between UTV and tandem disk.
3. Lift the harrow with the actuator or lift cylinder.

NOTE: When the harrow is lowered to the ground, the UTV must be in motion. The front part of the harrows should make contact first. The harrows will level out as the actuator or cylinder is fully extended.

4. Raise the harrows with the actuator or lift cylinder.
5. When not in use: lower harrow to the ground so weight is removed from the wheels. Ensure the wings are secure to the harrow lift center frame.

Guidelines

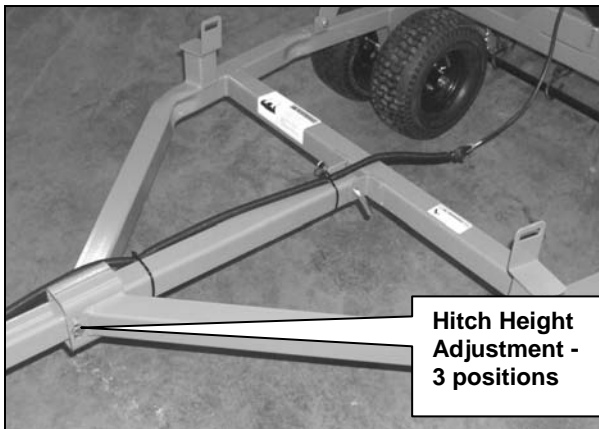
1. Check the tires on the UTV Harrow, when in daily use – daily. All tires should have 30 psi.
2. Do not exceed 4 - 6 mph (or 6 - 9 km/h). The UTV Harrow will not do a good job if the ground speed is too high.
3. During heavy duty use, operate at a slower speed; or go over the area twice. Repeat operation, if necessary.

4. Check depth and adjust to conditions.
5. The UTV Harrow should be level when operating. Locate the UTV, ATV or compact tractor on a level surface; adjust the hitch height so the harrows are flat on a level surface.

Hitch Height

The harrow center frame should be level when in working position. If not, adjust the hitch tube where it connects to the hitch channel. Remove clevis pin and bent pin from bracket. Select position and secure adjustment. Check if the main frame is level. Check UTV or compact tractor, if hitch can be adjusted by referring to its operator’s manual.

1. Remove clevis pin along with bent pin from the hitch channel. Select position and secure.



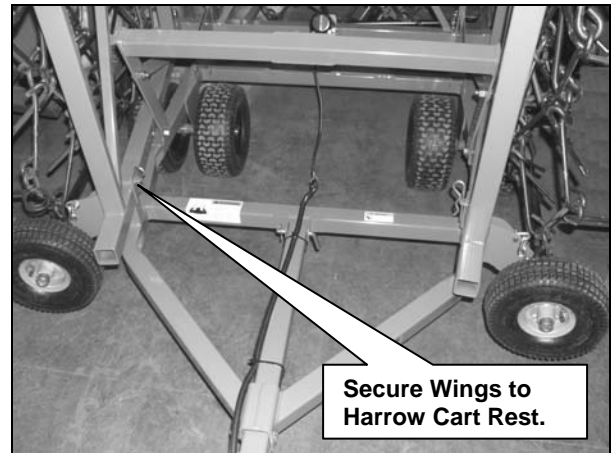
Hitch Height

2. Reinstall bent pin and secure with clevis pin.

Transport Position

The wings of the harrow can be placed in transport by doing the following:

1. Raise harrows to full height. Make sure the turf tires for the harrow lift frames (right and left hand) are off the ground.

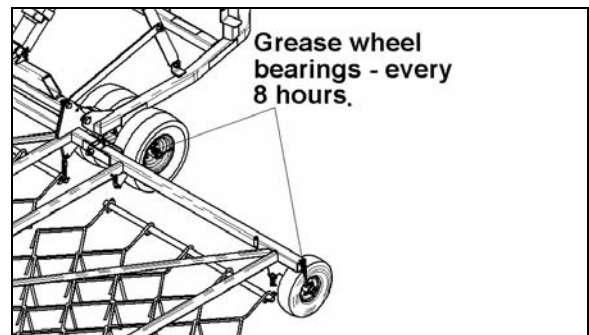


Transport Position

2. Take the right or left harrow lift frames and swing forward to the sides of the harrow cart.
3. Lift the right or left harrow lift frames and position on the harrow lift frame rest.
4. Secure in transport position using hitch pin clips (1/4" x 3-1/2"). Make sure both lift frames are secured.
5. Reverse procedure to place harrows in working position.

Maintenance

1. Clean debris from frame, wheels and harrows.
2. Periodically inspect for loose, damaged, or worn parts. Adjust or replace as needed.
3. Periodically check all hardware on the hitch and harrows to ensure they are tight.
4. The wheels on the harrow cart and left and right lift frame require periodic lubrication – every 8 hours.

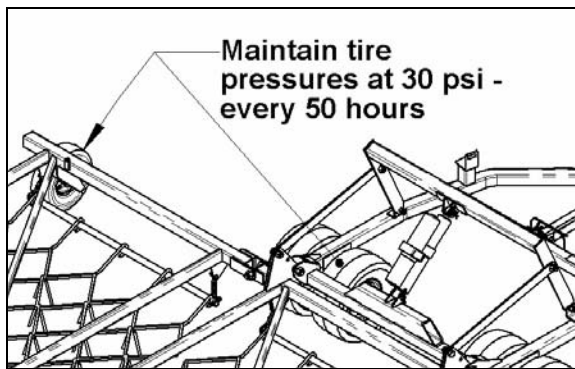


AFTER END OF SEASON USE: Remove wheels, clean shafts and inside wheel. Apply a light coating of grease and reinstall with flatwashers and new cotterpin.

5. Check chains and harrow teeth to make sure hardware is holding. Tighten loose hardware and replace any missing pieces.

6. When harrow is not used for a period of time, it is recommended clean off any dirt to prevent rust.

7. Check and maintain tire pressures (every 50 hours), when harrow is in use. Tire pressure for all tires is 30 psi.



8. Replace harrow sections, if teeth become broken or too worn. Refer to Parts Section of this manual for replacement part numbers.

9. The hooks of the harrows may not stay hooked to the harrow pull tubes. Make sure harrows are hooked to harrow pull tubes. Place a heavy metal plate under the hook of the harrow. Pound down on the open loop end with a heavy hammer to close the loop. Make sure it is enough so the harrow pull tube will not slip through.

Storage

1. Thoroughly clean off any dirt before storing.
2. Place the UTV harrow in transport position. Store the harrow on a level location to ensure its stability and safety.
3. Remove actuator or lift cylinder from unit and store. Install the lift lock tube in its place and secure.
4. Coat all teeth ends with grease or rust inhibitor (paint) when storing the harrow after a season.

5. Inspect the UTV Harrow for loose, damaged or worn parts. Adjust, or replace if needed.

Transportation



WARNING:
Exercise caution when transporting. Making abrupt turns can cause vehicle to overturn and cause bodily harm and/or injury.

1. Raise the harrows and place in transport position. Make sure right and left harrow lift frames are secure to the harrow cart frame.

2. Driving over bumps at improper speeds (over 5 MPH or 8 km/h) will cause the implement to hit and scrape the ground.

3. Attaching the harrows to the UTV or other towing vehicle increases the overall length and width of the working implement. Allow additional clearance for the implement to swing when turning.





Troubleshooting

PROBLEM	POSSIBLE CAUSE	POSSIBLE SOLUTION	PROBLEM	POSSIBLE CAUSE	POSSIBLE SOLUTION
Poor harrow performance.	Hard ground	Wait for softer ground	Machine will not raise or lower.	Actuator is not connected to the switch.	Connect wiring to switch – check.
	Penetration is not deep enough.	Adjust the hitch until frame and harrows are level.		Switch is not working.	Check switch and electrical connections. Repair where needed.
	Harrows are worn.	Replace with new.		Electrical short in the wiring harness or to electrical source.	Check routing of wiring harness from actuator for broken or pinched wiring. Repair where needed.
Front or rear of harrows are not penetrating into ground at the same time.	Harrow cart frame for the harrow is not level.	Level main frame so it is level in working position. Refer to Hitch Height Adjustment – page 4.	Plugging	Too much debris on the field.	Remove debris from the field.
Soil and crop residue sticks to the harrow teeth.	Soil is too wet and/or sticky.	Wait for soil conditions to dry.	Ridging on outside.	Harrowing at too high a speed.	Reduce to 4-6 mph (6-9 km/h).
	Harrow teeth are plugged with dirt, debris.	Remove dirt and debris.	Does not run level, or tow straight.	Incorrect tire pressures.	Inflate tires evenly to 30 psi.
UTV or tractor - will not pull, wheels spin.	Hard ground.	Wait for softer ground.	Harrows unhooking from pull tube.	Harrow hooks have spread and are not holding to harrow pull tube.	Install hooks to harrow pull tube. Close hook so it does not slip through.
	Ground is too wet.	Wait for soil to dry.	Harrows not level during operation.	Improper level adjustment.	Check level, refer to page 5.
Bent or broken harrow teeth.	Hitting obstructions.	Remove obstructions.	Actuator is stuck at either end of stroke	No electrical power to switch or wiring.	Check wiring and switch. Replace switch or repair wiring. Test system.
	Turning or backing up with harrows in the ground.	Raise harrows when turning or backing up.	Actuator does not operate.	Actuator is not connected to the switch.	Connect wiring to switch – check operation.
		Electrical short in the wiring harness.		Check routing of wiring harness for broken or pinched wiring. Repair as needed.	
		Worn actuator.		Replace actuator.	

Torque Chart

Use the Torque Chart to ensure that the hardware used on the Quadivator Product(s) is tightened to the capacity of the hardware.

Use the Torque Chart to make sure that the hardware on your Quadivator Product(s) is secure.

American Standard Cap Screws with UNC or UNF Threads				Metric Cap Screws			
SAE Grade No.		Grade 5 – 	Grade 8 – 	Property Class		Class 8.8 – 	Class 10.9 – 
5/16	(ft-lbs)	17 - 20.5	24 - 29	M8	(ft-lbs)	17.4 - 20.2	21.7 - 25.3
	(N-m)	23.1 - 27.8	32.5 - 39.3		(N-m)	23.6 - 27.4	29.4 - 34.3
	(kgf-m)	2.35 - 2.84	3.31 - 4.01		(kgf-m)	2.4 - 2.8	3.0 - 3.5
3/8	(ft-lbs)	35 - 42	45 - 54	M10	(ft-lbs)	35.5 - 41.2	44.9 - 52.1
	(N-m)	47.5 - 57.0	61.0 - 73.2		(N-m)	48.1 - 55.8	60.8 - 70.5
	(kgf-m)	4.84 - 5.82	6.22 - 7.47		(kgf-m)	4.9 - 5.7	6.2 - 7.2
1/2	(ft-lbs)	80 - 96	110 - 132	M12	(ft-lbs)	57.2 - 66.5	76.0 - 86.8
	(N-m)	108.5 - 130.2	149.2 - 179.0		(N-m)	77.5 - 90.1	103 - 117
	(kgf-m)	11.07 - 13.29	15.22 - 18.27		(kgf-m)	7.9 - 9.2	10.5 - 12.0
9/16	(ft-lbs)	110 - 132	160 - 192	M14	(ft-lbs)	91.2 - 108	123 - 144
	(N-m)	149.2 - 179.0	217.0 - 260.4		(N-m)	124 - 147	167 - 196
	(kgf-m)	15.22 - 18.27	22.14 - 26.57		(kgf-m)	12.6 - 15.0	17.0 - 20.0
5/8	(ft-lbs)	150 - 180	220 - 264	M16	(ft-lbs)	145 - 166	192 - 224
	(N-m)	203.4 - 244.1	298.3 - 358.0		(N-m)	196 - 225	260 - 303
	(kgf-m)	20.75 - 24.91	30.44 - 36.53		(kgf-m)	20.0 - 23.0	26.5 - 31.0

Replacement Parts

The following pages contain parts illustrations and replacement part numbers for all components on the Quadivator UTV Harrows. At the time of printing, some of the minor parts in the manual may become outdated.

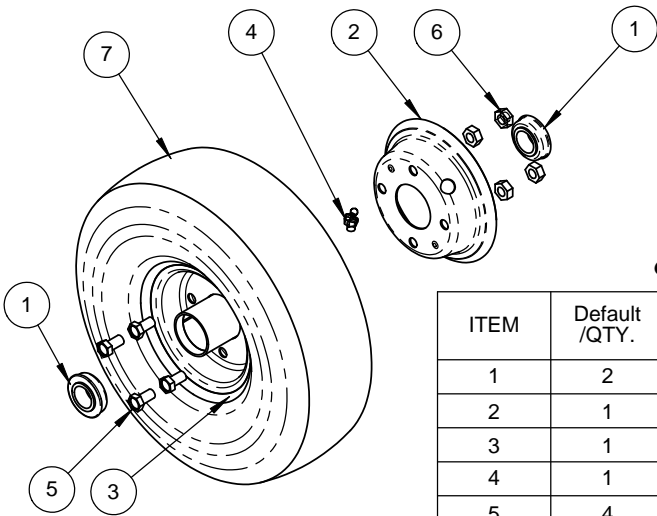
To obtain replacement parts, please contact your Quadivator Dealer for service. To locate the nearest dealer, use the contact information at the beginning of the Operators Manual.

When ordering parts – please have the following information on hand:

- *Part Number* - you are looking for.
- *Model Number and Serial Number* - of the machine.
- *Quantity required.*

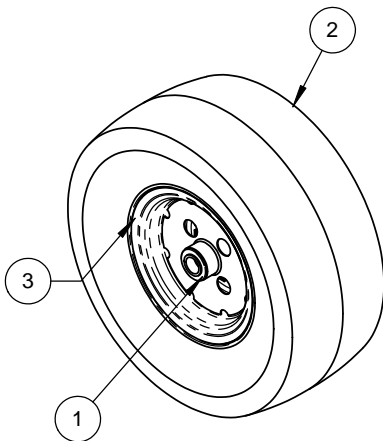
To ensure warranty support for your Quadivator, please fill out the Warranty Registration Card located in the Operator's Manual.

Wheel - UTV Harrow Assembly



88434 - Wheel Assembly, Harrow Lift Frame

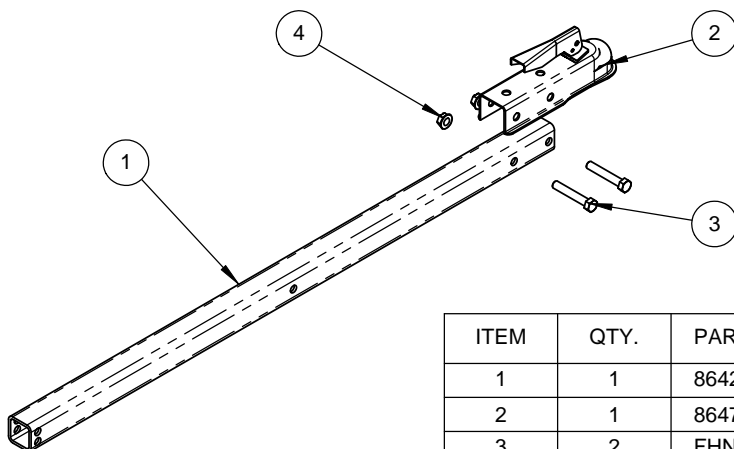
ITEM	Default /QTY.	PART	acpart#	DESCRIPTION
1	2	88433		Bearing, Wheel Assy
2	1	88434RM2		Wheel Rim, 4.10/3.50-4
3	1	88434WD		Weld't, Wheel Rim & Hub -4.10/3.50-4
4	1	GZ.25		Grease Zerk 1/4-28 Straight
5	4	HBM8x15		Bolt, Hx M8 x 15
6	4	HNM8		NUT, HEX M8
7	1	Tire		< >



88435 - Wheel Assembly, Main Frame

ITEM	Default /QTY.	PART	acpart#	DESCRIPTION
1	2	88433		Bearing, Wheel Assy
2	1	88435T		Tire, Archson, 15 x 6.00-6 Turf J224
3	1	88435WA		88435 Wheel Asss

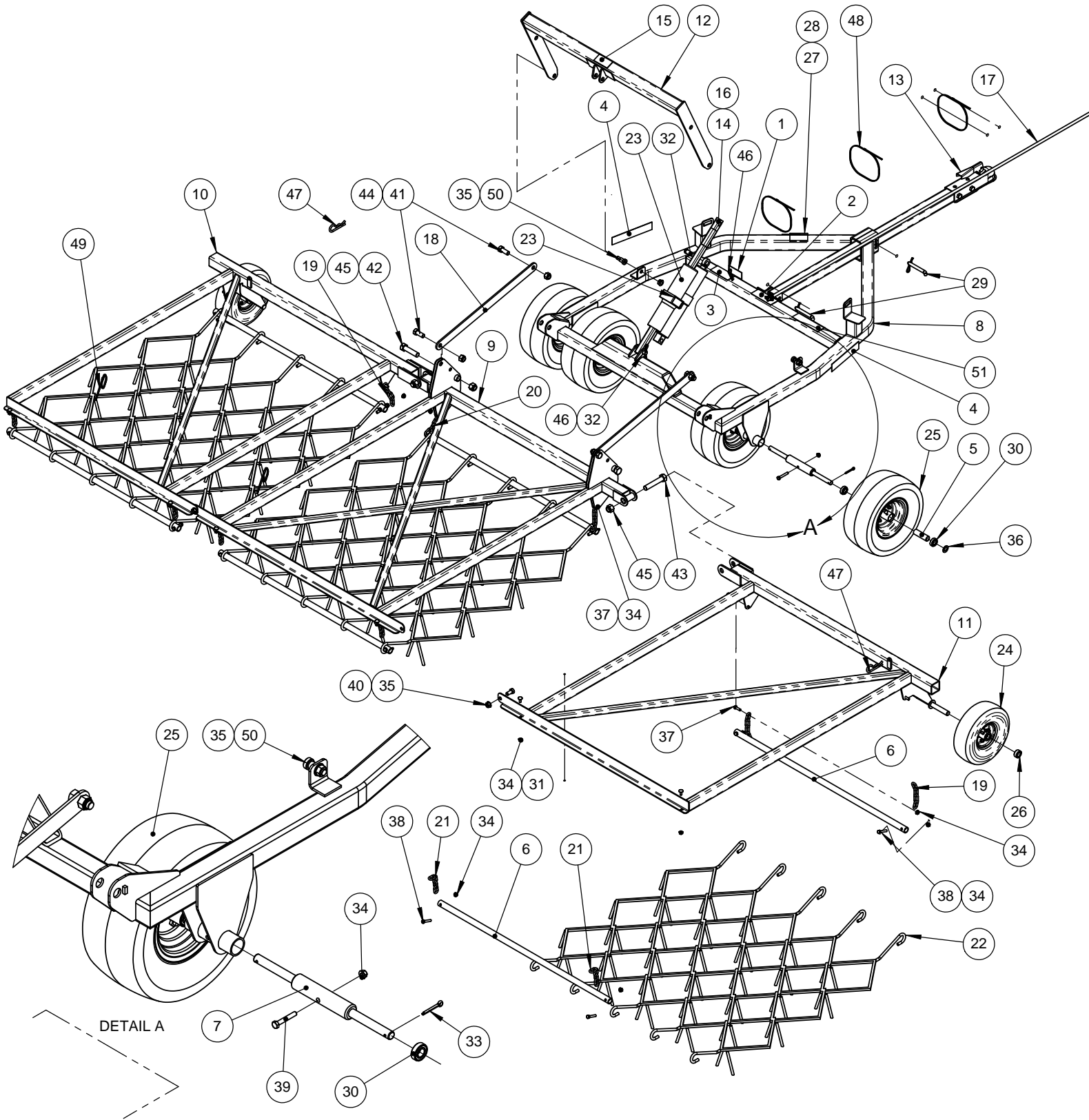
UTV Harrow Hitch Assembly (86495)



ITEM	QTY.	PART	acpart#	DESCRIPTION
1	1	86421A		Channel Hitch Coupler-2" ball x 2" channel
2	1	86472		Tube, Hitch UTV harrow
3	2	FHN.5	0423-690	Flange Lock Nut-Unitorque -1/2-13NC
4	2	HB.5x3		Hex Head Bolt 1/2-13 X 3

UTV Harrow Assembly

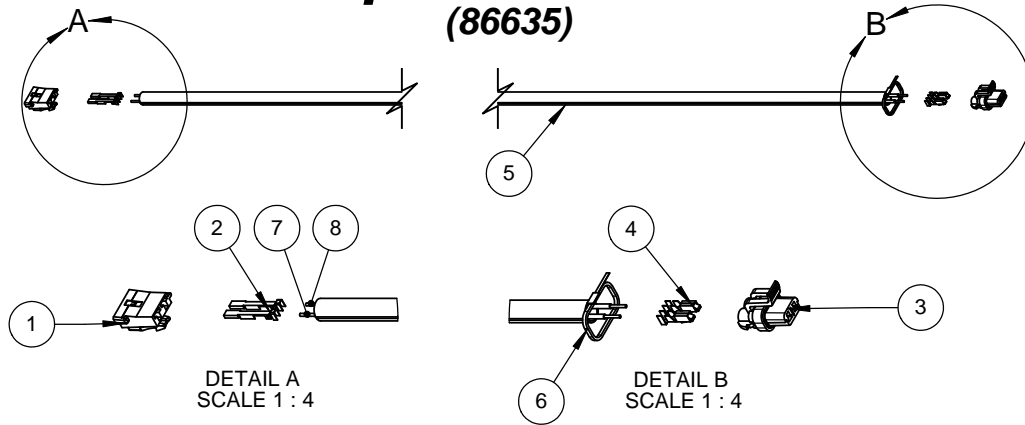
(86470)



UTV Harrow Assembly (86470)

ITEM	Default /QTY.	PART	acpart#	DESCRIPTION
1	1	1411-503	1411-503	Decal, Warning -Pinch Point (Speedpoint)
2	1	1411-506	1411-506	Decal, Warning-Do Not Exceed 10 MPH
3	1	1411-507	1411-507	Decal, Warning-No passengers (Speedpoint)
4	2	1411-509	1411-509	Decal, Arctic Cat Speedpoint System
5	4	86459		Bearing Support Spacer
6	6	86471		Tube, Harrow Pull
7	2	86473		Axle, Harrow
8	1	86475		Weld't, Harrow Cart-UTV
9	1	86480		Weld't, Harrow Lift Frame-Center
10	1	86485LH		Weld't, Harrow Lift Frame-LH
11	1	86485RH		Weld't, Harrow Lift Frame-RH
12	1	86490		Wed't, Lift Rock Shaft
13	1	86495	-	Sub Assy, Hitch-Harrow
14	1	86545	-	Tube, Lift Lock -Harrow
15	1	86546	-	Decal, Caution -Do Not Remove
16	1	86546	-	Decal, Caution -Do Not Remove
17	1	86635	-	Harness, UTV implement
18	2	86659		Lift Link half
19	3	86665		Chain Assy, 1/4" Gr 30 Pr x 6 Links
20	3	86665		Chain Assy, 1/4" Gr 30 Pr x 6 Links
21	6	86665		Chain Assy, 1/4" Gr 30 Pr x 6 Links
22	3	87087	1441-503	Harrow Section (7/16" x 4' x 4')
23	1	87499	*	Mini Motion Package***OPTIONAL***
24	2	88434		Wheel Assy, 4.10/3.50-4 Turf
25	4	88435R		Wheel Assy, Modified 15 x 6.00-6 Turf J224
26	2	88647		Collar 3/4 in. w/ SS ZY PLATED
27	1	88666		Decal - Serial Plate Foil (1 5/8 x 3.00")
28	1	88667		Decal - Mylar Overlay, Frosted [not shown]
29	2	89209		Pin, Bent 1/2" w/clip
30	8	89824	0423-858	Bearing 6003-2RS-AAB
31	6	CB.313x3/4	0423-812	Carriage Bolt 5/16 x 3/4
32	2	CP.625x2		Pin-Clevis, 5/8 OD x 2 Usable x 1/8 Cotter
33	4	CTP.188x1.5		Cotter Pin 3/16 x 1.5"
34	26	FHN.313	0423-814	Flange Lock Nut, Uнитарque 5/16 NC
35	4	FHN.5	0423-690	Flange Lock Nut-Uнитарque -1/2-13NC
36	4	FW.688N		Flat Washer .688 ID x 1.188 OD x .060t
37	6	HB.313x1	0423-831	Hex Head Bolt 5/16-18 X 1
38	12	HB.313x1.75		Hex Head Bolt 5/16-18 X 1 3/4
39	2	HB.313x2		Hex Head Bolt 1/4-20 X 2
40	2	HB.5x1		Hex Head Bolt 1/2-13 X 1
41	4	HB.625x1.5		Hex Head Bolt 5/8-11 X 1 1/2
42	2	HB.75x3		Hex Head Bolt 3/4-10 X 3
43	2	HB.75x4		Hex Head Bolt 3/4-10 X 4
44	4	HNY.625	0423-881	Nylon Locknut 5/8-11 NC
45	4	HNY.75		Nylon Locknut .75"
46	2	HPC.125X2.563	0423-696	Hitch Pin Clip 1/8 x 2 - 9/16"
47	2	HPC.25X3.5	0423-696	Hitch Pin Clip .25 x 3 1/2
48	3	LCT.04X11		Tie Wrap .04 x .17 x 11 in 35 Lbs-Black
49	2	LCT.05X8	0123-788	Tie Wrap .05 x .19 x 8 in 50 Lbs-Black
50	2	SBHS.625X.75		Shldr Bolt Sckt Head 5/8 x 3/4 Shoulder x 1/2-13
51	1	SW1		Decal - Warning - Read Operator's Manual

UTV Implement Harness



ITEM	Default /QTY.	PART	acpart#	DESCRIPTION
1	1	86981	-	Female Body, Metri-pack 630 conn. (12129939-b)
2	2	86983	-	Terminal, Female Connector (630 series)12015870
3	1	86987	-	Connector, Metri Pack 280 (15300027)
4	2	86988	-	Terminal, Female M/P 280 (12129493)
5	1	LCP.375	-	Loom, 3/8 Split Convolute x 86"
6	1	LCT.038x4		Tie Cable-Locking-Plastic .038 x .1 x 4 in 18 Lbs-Black
7	1	WR14G	-	Wire, Red 14 Ga x 86.5", GXL
8	1	WW14G	-	Wire, White 14 Ga x 86.5", GXL

WARRANTY REGISTRATION – Quadivator UTV Harrow

Please fax this sheet to (204) 239-4271 or mail it to:

Quadivator Inc.
P.O. Box 1127
1000 – 6th Ave NE
Portage la Prairie
Manitoba, R1N 3C5
CANADA

Harrow UTV Model # -

Harrow UTV Serial # -

Purchased by (Name)

Address-

City

State/Prov./Mail Code

Dealer -

Date Purchased (D/M/Y)

Thank you!

